

IRAX Spring Balancers

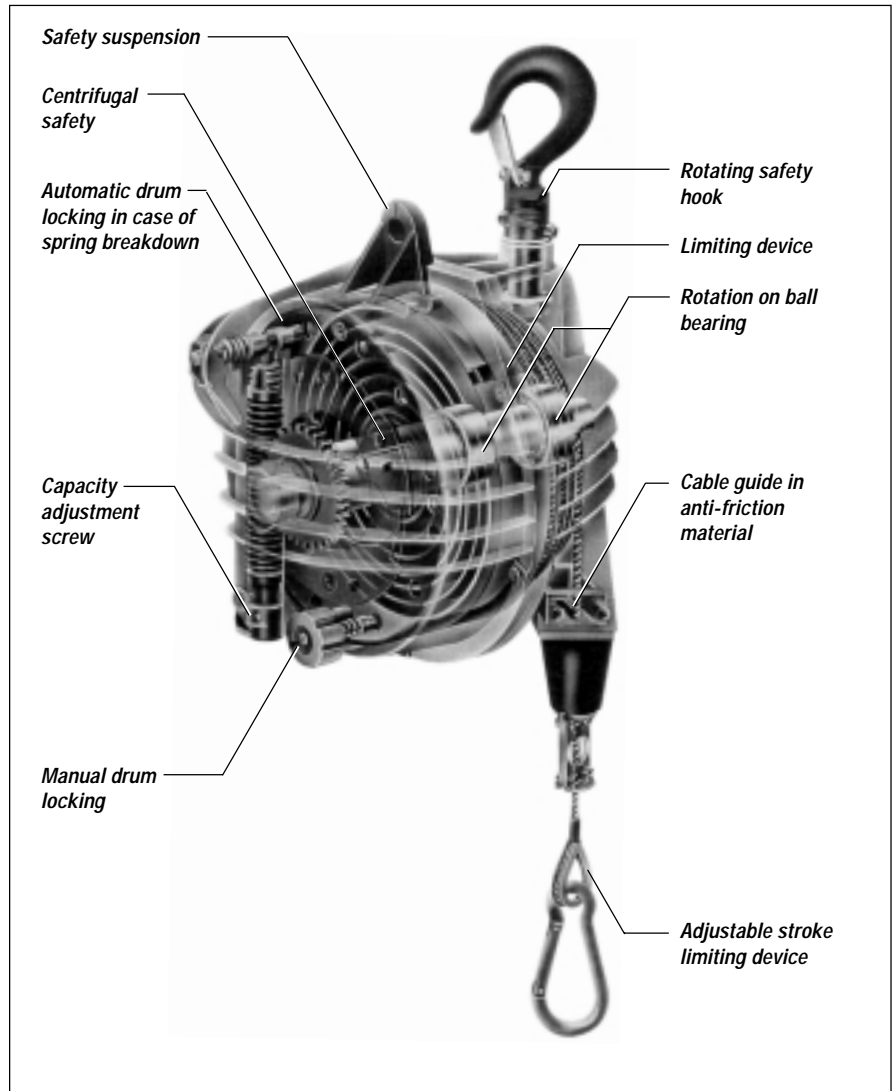


Mechanical Spring Balancer

The IRAX red balancers from Ingersoll-Rand offer you five different series to fill all your spring balancing requirements. The light, medium, intermediate, heavy and super duty series cover weight balancing requirements from 1 lb. to 330 lbs (150 kg).

These mechanical balancers are ruggedly made of die cast aluminum. A safety locking device on the medium, heavy and super duty models is designed to prevent dropping of the tool should the spring fail. Easy to use controls allow for accurate spring adjustment.

With over 50 models to choose from, lifts ranging from 5 to 9 feet (1.5 to 2.7 m), IRAX balancers fill your spring balancer requirements with quality from Ingersoll-Rand.



How to order Irax Balancers

Irax Model Driver					
B	M	B	L	L	10
<i>Balancer</i>	H = Heavy I = Intermediate L = Light M = Medium S = Super	<i>Duty</i>	L = Long cable (8.2'/2.5 m or 9.85'/3 m) S = Short cable (6.5'/2 m)	L = Locking type (pull to set/pull again to release)	10 = Upper weight capacity in kilograms

IRAX

IRAX Spring Balancers

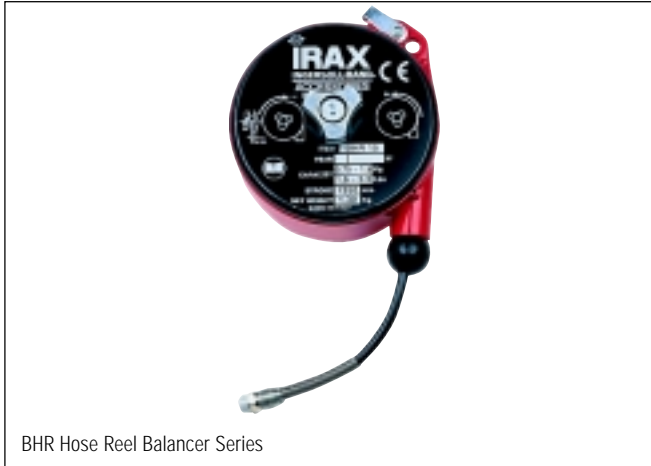
0.9 to 6.6 lb (0.4 to 3 kg) Capacity



Light Duty - Capacity 0.9 to 6.6 lbs (0.4 to 3 kg)

- Rotary hook.
- Adjustable capacity and stroke limiting device.
- Self lubricating bushings.
- Auxiliary safety suspension.

IRAX



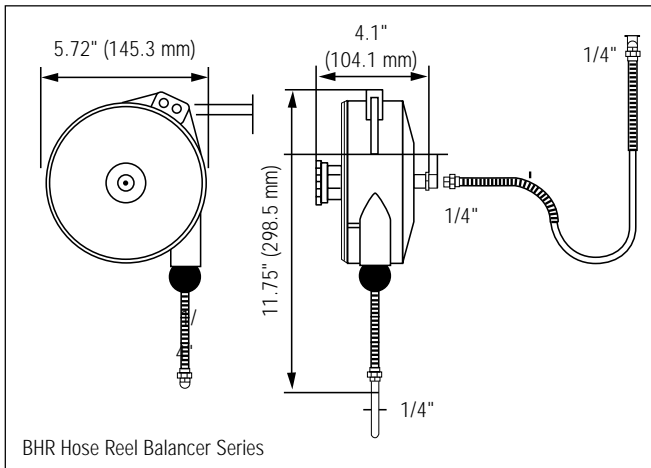
BHR Hose Reel Balancer Series



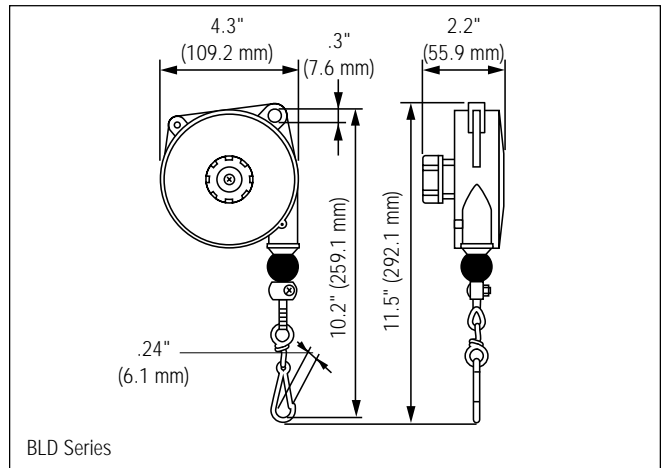
BLD Series

Hose Reel Balancer Specifications						
Model no.	Hose nipples	Capacity		Lift		
		lb	kg	ft	mm	
BHR-8	1/4"	7/8 - 1 3/4	.4 - .8	4 1/4	1300	
BHR-15	1/4"	1 1/2 - 3 1/3	.7 - 1.5	4 1/4	1300	
BHR-25	1/4"	2 5/8 - 5 1/2	1.2 - 2.5	4 1/4	1300	

Light Duty Specifications						
Model no.	Capacity		Weight		Lift	
	lb	kg	lb	kg	ft	mm
BLD-1	.9 - 2.2	0.4 - 1	1.3	0.6	5.2	1600
BLD-2	2.2 - 4.4	1 - 2	1.3	0.6	5.2	1600
BLD-3	4.4 - 6.6	2 - 3	1.3	0.7	5.2	1600



BHR Hose Reel Balancer Series



BLD Series

IRAX Spring Balancers

2.2 to 26.5 lb (1 to 12 kg) Capacity



Medium Duty - Capacity 2.2 to 26.5 lbs (1 to 12 kg)

- Safety device prevents dropping of load due to spring breakage (except BMDS-2).
- Anti-friction cable guide.
- Adjustable stroke limiting device



BMDS Series

Medium Duty - Capacity 4.4 to 26.5 lbs (2 to 12 kg)

- Safety device prevents dropping of load due to spring breakage
- Anti-friction cable guide.
- Adjustable stroke limiting device



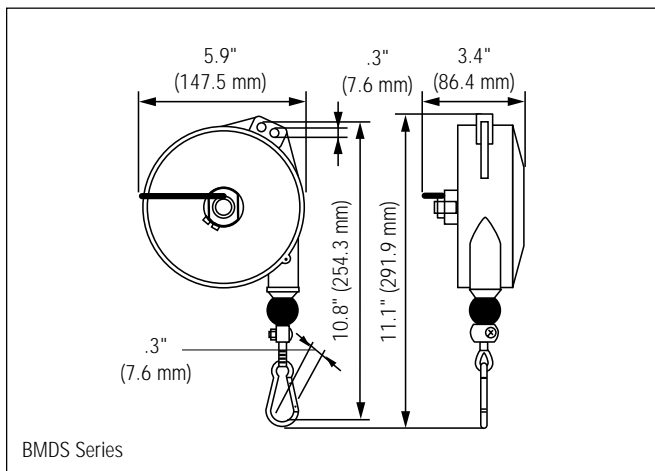
BMDL Series

Medium Duty Specifications

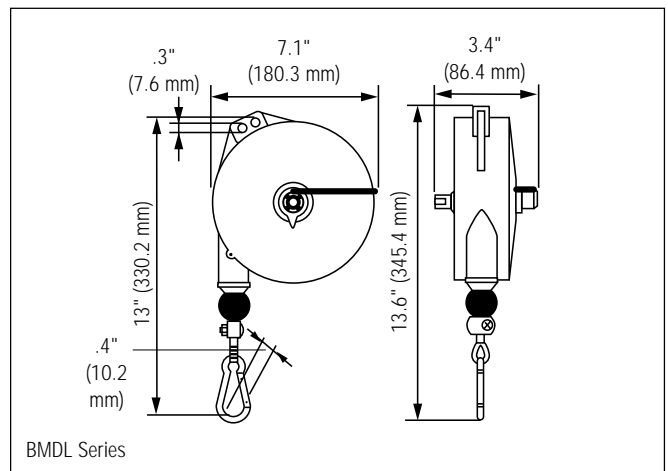
Model no.	Capacity		Weight		Lift	
	lb	kg	lb	kg	ft	mm
BMDS-2	2.2 – 5.5	1 – 2.5	4.4	2.0	6.5	2000
BMDS-4	4.4 – 8.8	2 – 4	4.4	2.0	6.5	2000
BMDS-6	8.8 – 13.2	4 – 6	5.1	2.3	6.5	2000
BMDS-8	13.2 – 17.6	6 – 8	5.5	2.5	6.5	2000

Medium Duty long Lift Specifications

Model no.	Capacity		Weight		Lift	
	lb	kg	lb	kg	ft	mm
BMDL-4	4.4 – 8.8	2 – 4	6.4	2.9	8.2	2500
BMDL-6	8.8 – 13.2	4 – 6	7.1	3.2	8.2	2500
BMDL-8	13.2 – 17.6	6 – 8	7.7	3.5	8.2	2500
BMDL-10	17.6 – 22.0	8 – 10	8.2	3.7	8.2	2500
BMDL-12	22.0 – 26.5	10 – 12	8.8	4.0	8.2	2500



BMDS Series



BMDL Series

IRAX

IRAX Spring Balancers

4.4 to 55 lb (2 to 25 kg) Capacity



IRAX

Locking type balancer with long lift

- Pull to set—pull again to release



BMDLL Series

Intermediate Duty - 22 to 55 lbs (10 to 25 kg)

- Safety device prevents load dropping due to spring breakage.
- Adjustable stroke limiting device
- Upper rotary suspension
- Safety hook
- Anti-friction cable guide
- Auxiliary safety suspension
- Auxiliary safety suspension



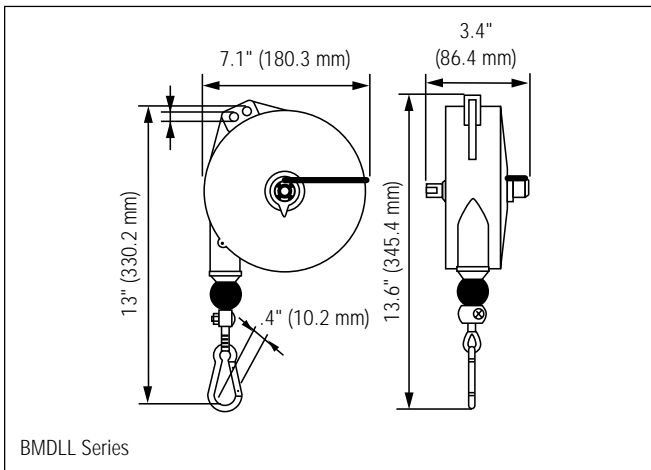
BIDS Series

Locking Type with Long Lift Specifications

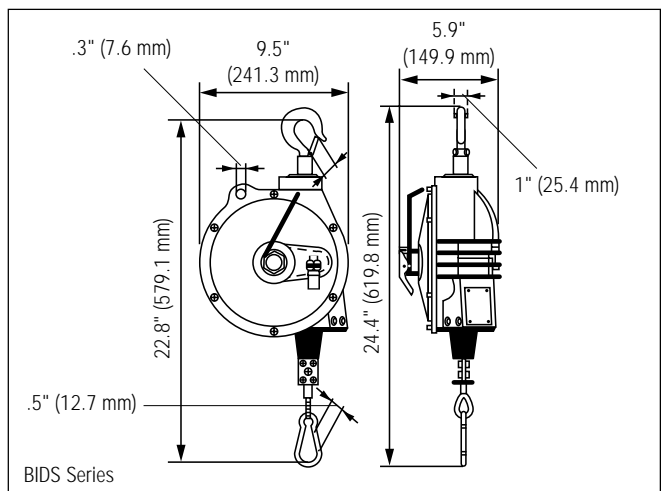
Model no.	Capacity		Weight		Lift	
	lb	kg	lb	kg	ft	mm
BMDLL-4	4.4 – 8.8	2 – 4	6.6	3.0	8.2	2500
BMDLL-6	8.8 – 13.2	4 – 6	7.3	3.3	8.2	2500
BMDLL-8	13.2 – 17.6	6 – 8	7.9	3.6	8.2	2500
BMDLL-10	17.6 – 22.0	8 – 10	8.4	3.8	8.2	2500

Intermediate Duty Specifications

Model no.	Capacity		Weight		Lift	
	lb	kg	lb	kg	ft	mm
BIDS-15	22 – 33	10 – 15	16.5	7.5	6.5	2000
BIDS-20	33 – 44	15 – 20	17.0	7.7	6.5	2000
BIDS-25	44 – 55	20 – 25	17.2	7.8	6.5	2000



BMDLL Series



BIDS Series

IRAX Spring Balancers

22 to 143 lb (10 to 65 kg) Capacity

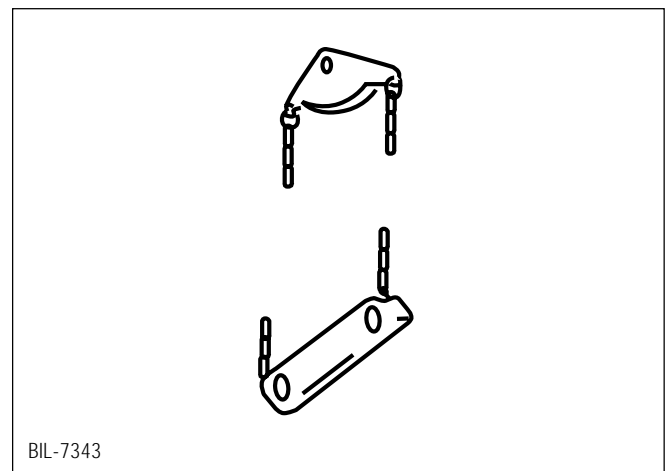
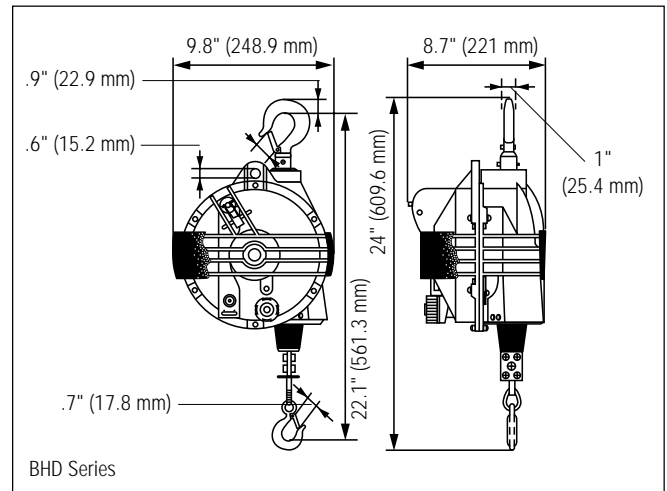


Heavy Duty - Capacity 22 to 143 lbs (10 to 65 kg)

- Safety device prevents load dropping due to spring breakage.
- Upper suspension with rotary safety hook.
- Precision guided cable winding prevents jamming.
- Anti-friction cable guide.
- Manual locking device for instant clamping or release.
- Worm screw capacity adjustment.
- Spring drum assembly.
- Optional floor controlled locking device available (BIL-7343).

Heavy Duty Specifications

Model no.	Capacity		Weight		Lift	
	lb	kg	lb	kg	ft	mm
BHD-15	22 – 33	10 – 15	22.7	10.3	6.5	2000
BHD-20	33 – 44	15 – 20	23.4	10.6	6.5	2000
BHD-25	44 – 55	20 – 25	24.7	11.2	6.5	2000
BHD-30	55 – 66	25 – 30	25.4	11.5	6.5	2000
BHD-35	66 – 77	30 – 35	26.0	11.8	6.5	2000
BHD-45	77 – 99	35 – 45	27.3	12.4	6.5	2000
BHD-55	99 – 121	45 – 55	27.6	12.5	6.5	2000
BHD-65	121 – 143	55 – 65	30.0	13.6	6.5	2000



IRAX

IRAX Spring Balancers

33 to 132 lb (15 to 60 kg) Capacity

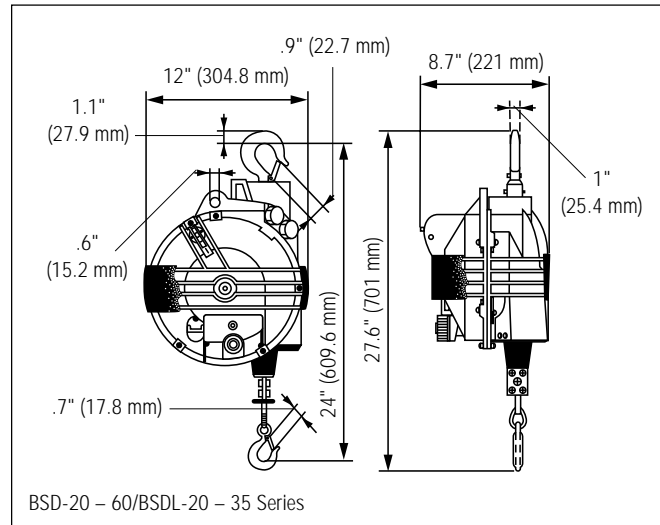


Super Duty - Capacity 33 to 363 lbs (15 to 165 kg)

- Safety device prevents load dropping due to spring breakage
- Manual locking device for instant clamping or release
- Anti-friction cable guide
- Cable replacement without balancer disassembly
- Optional floor controlled locking device available (BIL-7343)
- Precision guided cable winding prevents jamming
- Alignable rotating upper hook
- Worm screw capacity adjustment
- Cable visible for inspection
- Other sizes available on request

Super Duty Specifications						
Model no.	Capacity		Weight		Lift	
	lb	kg	lb	kg	ft	mm
BSD-20	33 – 44	15-20	41.9	19	8.2	2500
BSD-30	44 – 66	20-30	43.7	19.8	8.2	2500
BSD-40	66 – 88	30 – 40	45.9	20.8	8.2	2500
BSD-50	88 – 110	40 – 50	52.7	23.9	8.2	2500
BSD-60	110 – 132	50 – 60	56	25.4	8.2	2500
BSDL-20	33 – 44	15 – 20	42.1	19.1	9.85	3000
BSDL-35	44 – 55	20 – 25	43.9	19.9	9.85	3000
BSDL-35	55 – 77	25 – 35	46.1	20.9	9.85	3000

IRAX



IRAX Spring Balancers

132 to 363 lb (60 to 165 kg) Capacity



IRAX



BSD-70 - 90/BSDL-45 - 90 Series



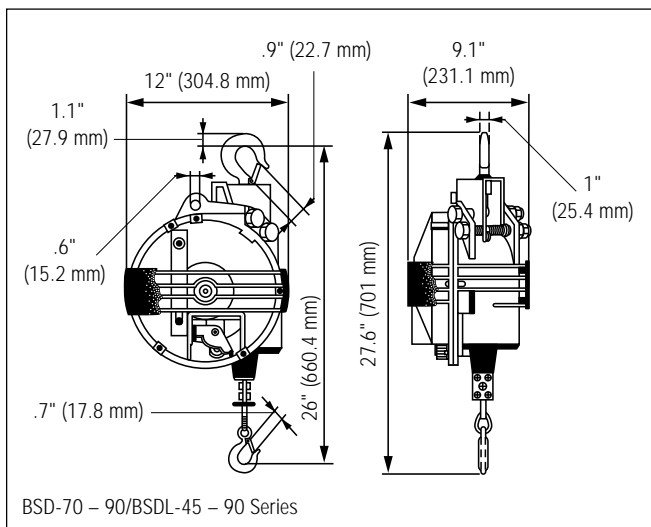
BSD-70 - 165/BSDL-100 - 150 Series

Super Duty Specifications

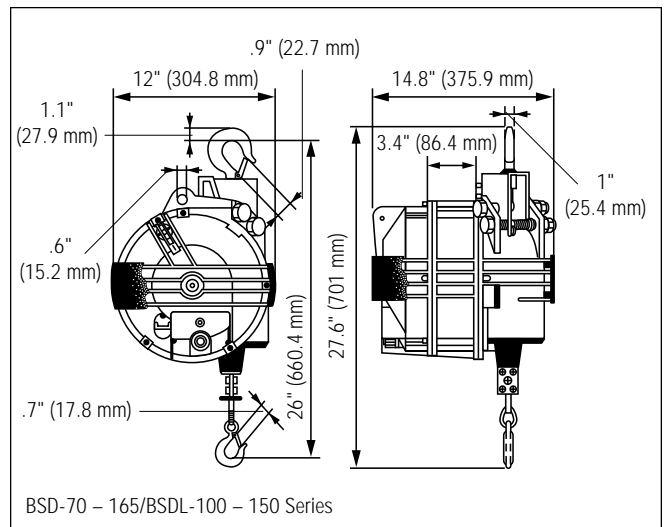
Model no.	Capacity		Weight		Lift	
	lb	kg	lb	kg	ft	mm
BSD-70	132 - 154	60 - 70	59.1	26.8	8.2	2500
BSD-80	154 - 176	70 - 80	61.3	27.8	8.2	2500
BSD-90	176 - 198	80 - 90	63.5	28.8	8.2	2500
BSDL-45	77 - 99	35 - 45	52.5	23.8	9.85	3000
BSDL-50	88 - 110	40 - 50	52.7	23.9	9.85	3000
BSDL-60	110 - 132	50 - 60	55.8	25.3	9.85	3000
BSDL-70	132 - 154	60 - 70	58.9	26.7	9.85	3000
BSDL-80	154 - 176	70 - 80	61.7	28.0	9.85	3000
BSDL-90	176 - 198	80 - 90	64.0	29.0	9.85	3000

Super Duty Specifications

Model no.	Capacity		Weight		Lift	
	lb	kg	lb	kg	ft	mm
BSD-70	132 - 154	60 - 70	59.1	26.8	8.2	2500
BSD-100	198 - 220	90 - 100	78.5	35.6	8.2	2500
BSD-120	220 - 265	100 - 120	85.3	38.7	8.2	2500
BSD-140	265 - 309	120 - 140	92.2	41.8	8.2	2500
BSD-150	287 - 330	130 - 150	98.1	44.5	8.2	2500
BSD-165	330 - 363	150 - 165	106.3	48.2	8.2	2500
BSDL-100	198 - 220	90 - 100	81.1	36.8	9.85	3000
BSDL-115	220 - 254	110 - 115	85.3	38.7	9.85	3000
BSDL-130	254 - 286	115 - 130	88.0	39.9	9.85	3000
BSDL-140	286 - 309	130 - 140	94.4	42.8	9.85	3000
BSDL-150	309 - 330	140 - 150	100.6	45.6	9.85	3000



BSD-70 - 90/BSDL-45 - 90 Series



BSD-70 - 165/BSDL-100 - 150 Series