

IR Zimmerman Jib Cranes

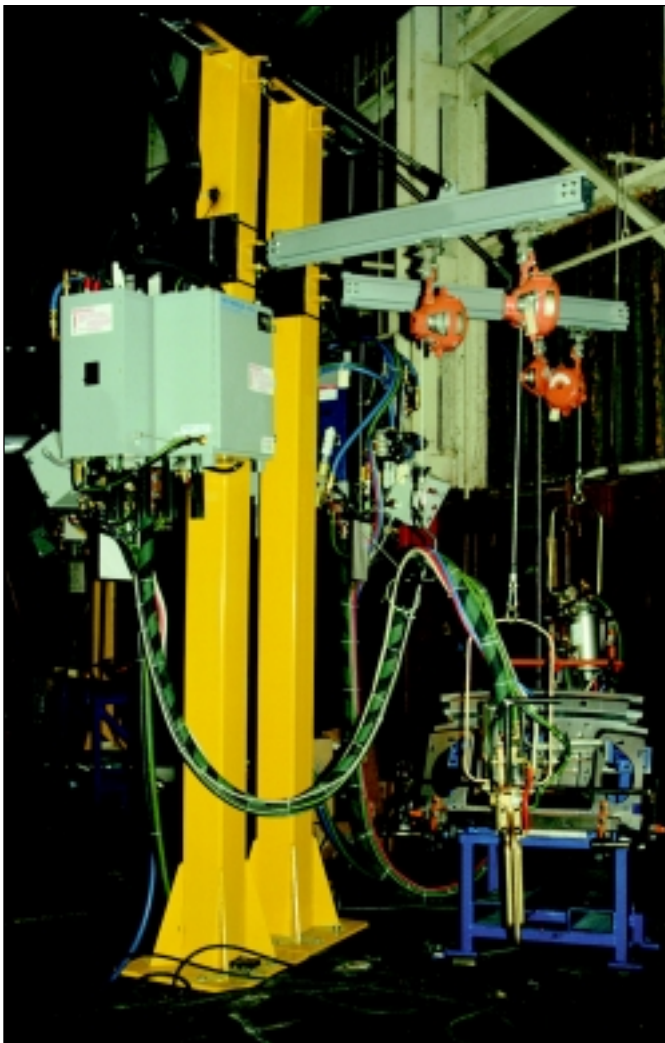
- **Ergonomic:** Light-duty jib cranes utilize precision IR Zimmerman aluminum or steel rail for the boom, resulting in a lightweight, easy to move boom.
- **Cost Effective:** Jib cranes are perfect for short transfer applications.

Available in the following configurations

- **700J:** 220 degree rotation, tie-rod based jib crane with column for floor or ceiling mounting.
- **700JW:** 220 degree rotation, tie-rod based jib crane with plate for mounting to walls, existing building columns, or any suitable surface.
- **800J:** 360 degree rotation, tie-rod based jib crane with column for floor mounting.

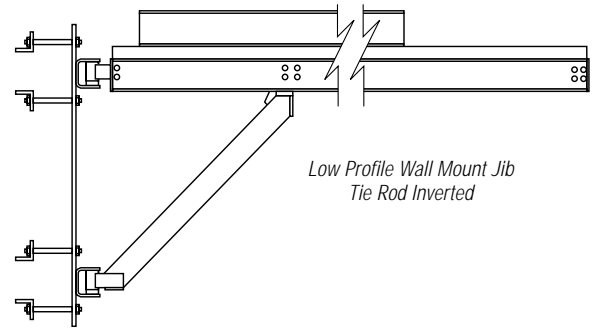
Options

IR Zimmerman jib cranes can be ordered with either air or electric power supply packages. They are also available with portable pallet base mounts.

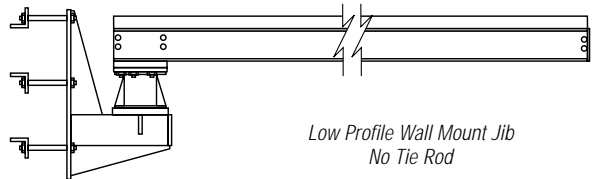


700J Jib Crane

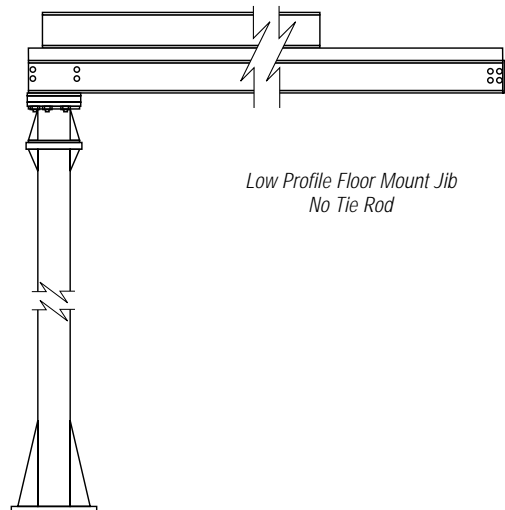
Custom Jibs Offered



Low Profile Wall Mount Jib
Tie Rod Inverted



Low Profile Wall Mount Jib
No Tie Rod



Low Profile Floor Mount Jib
No Tie Rod

ZRA1 Boom Type 220° Rotation (Light)

Part no.	Boom		Capacity		OAH = U +		Weight	
	ft	m	lbs	kg	in.	mm	lbs	kg
7090JA1F04144	4	1.22	900	408.2	38	965	375	170.5
7061JA1F06144	6	1.83	610	276.7	38	965	375	174.1
7046JA1F08144	8	2.44	460	208.7	38	965	391	177.7
7037JA1F10144	10	3.05	370	167.8	38	965	399	181.4
7030JA1F12144	12	3.66	300	136.1	38	965	407	185
7026JA1F14144	14	4.27	260	117.9	38	965	414	188.2
7023JA1F16144	16	4.88	230	104.3	38	965	423	192.3
7020JA1F18144	18	5.49	200	90.7	38	965	431	195.9
7016JA1F20144	20	6.1	160	72.6	38	965	439	199.5

ZRA2 Boom Type 220° Rotation (Medium)

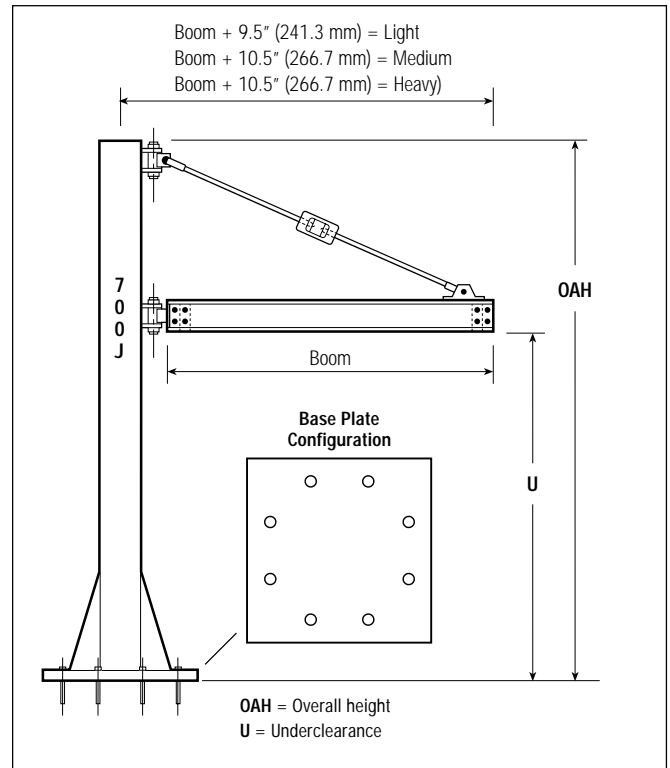
Part no.	Boom		Capacity		OAH = U +		Weight	
	ft	m	lbs	kg	in.	mm	lbs	kg
7200JA2F04144	4	1.22	2000	907.2	39	991	660	300
7140JA2F06144	6	1.83	1400	635	39	991	675	306.8
7105JA2F08144	8	2.44	1050	476.3	39	991	690	313.6
7080JA2F10144	10	3.05	800	362.9	39	991	705	320.5
7070JA2F12144	12	3.66	700	317.5	39	991	720	327.3
7060JA2F14144	14	4.27	600	272.2	39	991	735	334.1
7050JA2F16144	16	4.88	500	226.8	39	991	782	355.5
7045JA2F18144	18	5.49	450	204.1	39	991	797	362.3
7040JA2F20144	20	6.1	400	181.4	39	991	812	369.1

ZRA2 Boom Type 220° Rotation (Heavy)

Part no.	Boom		Capacity		OAH = U +		Weight	
	ft	m	lbs	kg	in.	mm	lbs	kg
7200JA2F06144	6	1.83	2000	907.2	39	991	925	420.5
7200JA2F08144	8	2.44	2000	907.2	39	991	940	427.3
7160JA2F10144	10	3.05	1600	725.7	39	991	955	434.1
7135JA2F12144	12	3.66	1350	612.3	39	991	970	441
7115JA2F14144	14	4.27	1150	521.6	39	991	985	447.7
7100JA2F16144	16	4.88	1000	453.6	51	1295	1000	454.5
7080JA2F18144	18	5.49	800	362.9	51	1295	1065	484.1
7065JA2F20144	20	6.1	650	294.8	51	1295	1080	491

ZRS2 Boom Type 220° Rotation (Medium)

Part no.	Boom		Capacity		OAH = U +		Weight	
	ft	m	lbs	kg	in.	mm	lbs	kg
7200JS2F04144	4	1.22	2000	907.2	39	961	660	300
7140JS2F06144	6	1.83	1400	635	39	961	675	306.8
7105JS2F08144	8	2.44	1050	476.3	39	961	690	313.6
7085JS2F10144	10	3.05	850	385.6	39	961	705	320.5
7070JS2F12144	12	3.66	700	317.5	39	961	720	327.3
7060JS2F14144	14	4.27	600	272.2	39	961	735	334.1
7053JS2F16144	16	4.88	530	240.4	39	961	782	355.5
7048JS2F18144	18	5.49	480	217.7	39	961	797	362.3
7042JS2F20144	20	6.1	420	190.5	39	961	812	369.1



ZRS3 Boom Type 220° Rotation (Heavy)

Part no.	Boom		Capacity		OAH = U +		Weight	
	ft	m	lbs	kg	in.	mm	lbs	kg
7200JS3F04144	4	1.22	2000	907.2	40	1016	910	413.6
7200JS3F06144	6	1.83	2000	907.2	40	1016	927	421.4
7200JS3F08144	8	2.44	2000	907.2	40	1016	944	429.1
7160JS3F10144	10	3.05	1600	725.7	40	1016	961	436.8
7135JS3F12144	12	3.66	1350	612.3	40	1016	978	444.5
7115JS3F14144	14	4.27	1150	521.6	40	1016	995	452.3
7100JS3F16144	16	4.88	1000	453.6	52	1321	1062	482.7
7080JS3F18144	18	5.49	800	362.9	52	1321	1079	490.5
7060JS3F20144	20	6.1	600	272.2	52	1321	1096	498.2

For applications not covered on this sheet or pallet based applications, consult the factory.

Dimensional Notes:

ZRA1 (Light)

U* Standard columns 6 x 6 x 1/4 in. designed for 144 in. (12 ft/3.7 m) under clearance or less.

P Base plate 3/4 x 18 x 18 in., 8-holes 7/8 in. diameter on a 16 in. (406.4 mm) bolt circle.

3/4 in. stud anchors or bolts are to be supplied by the customer.

ZRA2 (Medium)

U* Standard columns 8 x 8 x 1/4 in. designed for 144 in. (12 ft/3.7 m) under clearance or less.

P Base plate 3/4 x 24 x 24 in., 8-holes 7/8 in. diameter on a 20 in. (508 mm) bolt circle.

3/4 in. stud anchors or bolts are to be supplied by the customer.

ZRA2 (Heavy)

U* Standard columns 8 x 8 x 1/2 in. designed for 144 in. (12 ft/3.7 m) under clearance or less.

P Base plate 3/4 x 24 x 24 in., 8-holes 7/8 in. diameter on a 20 in. (508 mm) bolt circle.

3/4 in. stud anchors or bolts are to be supplied by the customer.

ZRS2 (Medium)

U* Standard columns 8 x 8 x 1/4 in. designed for 144 in. (508 mm) under clearance or less.

P Base plate 3/4 x 24 x 24 in., 8-holes 7/8 in. diameter on a 20 in. (508 mm) bolt circle.

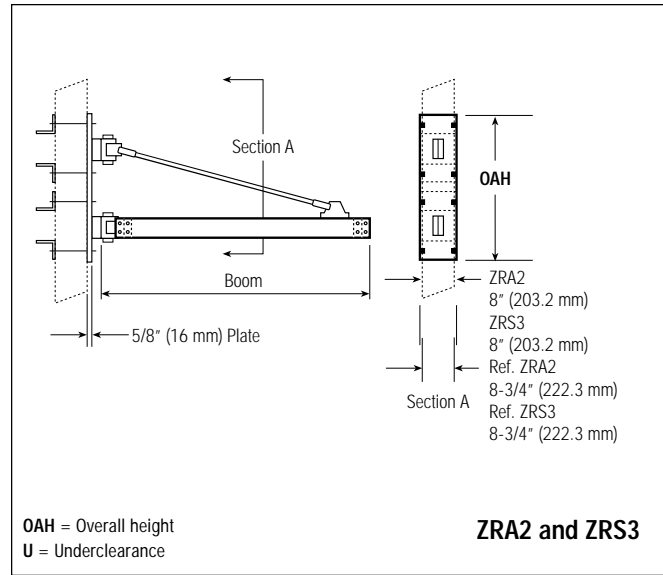
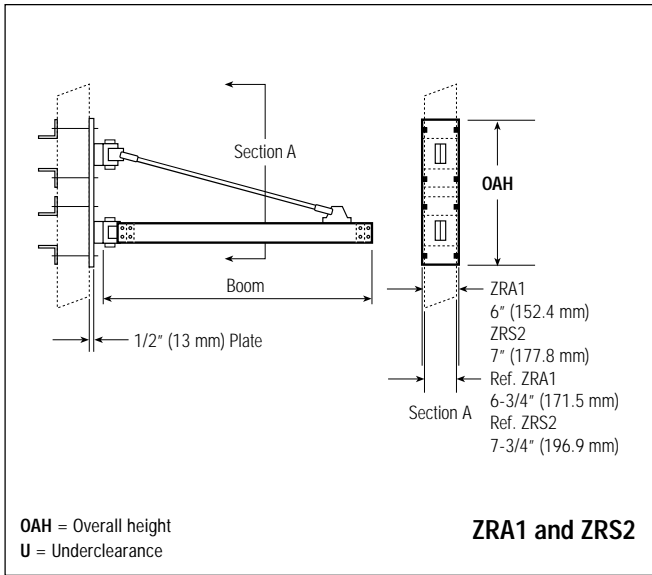
3/4 in. stud anchors or bolts are to be supplied by the customer.

ZRS3 (Heavy)

U* Standard columns 8 x 8 x 1/2 in. designed for 144 in. (508 mm) under clearance or less.

P Base plate 3/4 x 24 x 24 in., 8-holes 7/8 in. diameter on a 20 in. (508 mm) bolt circle.

3/4 in. stud anchors or bolts are to be supplied by the customer.

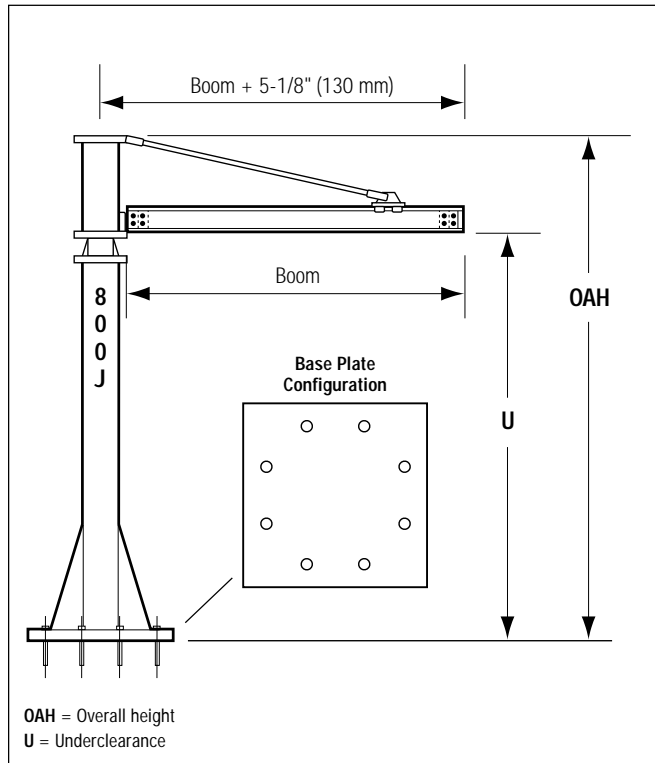


ZRA1 Boom Type Wall Mount (Light)								
Part no.	Boom		Capacity		OAH		Weight	
	ft	m	lbs	kg	in.	mm	lbs	kg
7100JA1W04	4	1.22	1000	453.6	44	1118	120	54.5
7100JA1W06	6	1.83	1000	453.6	44	1118	131	59.5
7100JA1W08	8	2.44	1000	453.6	44	1118	142	64.5
7080JA1W10	10	3.05	800	362.9	44	1118	153	69.5
7050JA1W12	12	3.66	500	226.8	44	1118	164	74.5
7036JA1W14	14	4.27	360	163.3	44	1118	175	79.5
7026JA1W16	16	4.88	260	117.9	44	1118	186	84.5
7020JA1W18	18	5.49	200	90.7	44	1118	197	89.5
7016JA1W20	20	6.1	160	72.6	44	1118	208	94.5

ZRA2 Boom Type Wall Mount (Heavy)								
Part no.	Boom		Capacity		OAH		Weight	
	ft	m	lbs	kg	in.	mm	lbs	kg
7200JA2W04	4	1.22	2000	907.2	44	1118	145	65.9
7200JA2W06	6	1.83	2000	907.2	44	1118	154	70
7200JA2W08	8	2.44	2000	907.2	44	1118	181	82.3
7190JA2W10	10	3.05	1900	861.8	44	1118	199	90.5
7160JA2W12	12	3.66	1600	725.7	44	1118	217	98.6
7135JA2W14	14	4.27	1350	612.3	44	1118	235	106.8
7100JA2W16	16	4.88	1000	453.6	56	1423	266	120.9
7080JA2W18	18	5.49	800	362.9	56	1423	310	140.9
7060JA2W20	20	6.1	600	272.2	56	1423	354	160.9

ZRS2 Boom Type Wall Mount (Medium)								
Part no.	Boom		Capacity		OAH		Weight	
	ft	m	lbs	kg	in.	mm	lbs	kg
7200JS2W04	4	1.22	2000	907.2	44	1118	145	65.9
7200JS2W06	6	1.83	2000	907.2	44	1118	163	74.1
7200JS2W08	8	2.44	2000	907.2	44	1118	181	82.3
7190JS2W10	10	3.05	1900	861.8	44	1118	199	90.5
7160JS2W12	12	3.66	1600	725.7	44	1118	217	98.6
7100JS2W14	14	4.27	1000	453.6	44	1118	235	106.8
7080JS2W16	16	4.88	800	362.9	56	1423	266	120.9
7060JS2W18	18	5.49	600	272.2	56	1423	310	140.9
7045JS2W20	20	6.1	450	204.1	56	1423	354	160.9

ZRS3 Boom Type Wall Mount (Heavy)								
Part no.	Boom		Capacity		OAH		Weight	
	ft	m	lbs	kg	in.	mm	lbs	kg
7200JS3W04	4	1.22	2000	907.2	44	1118	146	66.4
7200JS3W06	6	1.83	2000	907.2	44	1118	166	75.5
7200JS3W08	8	2.44	2000	907.2	44	1118	186	84.5
7195JS3W10	10	3.05	1950	884.5	44	1118	206	93.6
7160JS3W12	12	3.66	1600	725.7	44	1118	226	102.7
7135JS3W14	14	4.27	1350	612.3	44	1118	246	111.8
7100JS3W16	16	4.88	1000	453.6	56	1423	278	126.4
7080JS3W18	18	5.49	800	362.9	56	1423	322	146.6
7060JS3W20	20	6.1	600	272.2	56	1423	366	166.4



ZRS2 Boom Type 360° Rotation								
Part no.	Boom		Capacity		OAH = U +		Weight	
	ft	m	lbs	kg	in.	mm	lbs	kg
8082JS2F04144	4	1.22	820	371.9	38	965	419	190.5
8055JS2F06144	6	1.83	550	249.5	38	965	435	197.7
8041JS2F08144	8	2.44	410	186	38	965	451	205
8033JS2F10144	10	3.05	330	149.7	38	965	467	212.3
8027JS2F12144	12	3.66	270	122.5	38	965	483	219.5
8023JS2F14144	14	4.27	230	104.3	38	965	499	226.8
8020JS2F16144	16	4.88	200	90.7	38	965	515	234.1
8018JS2F18144	18	5.49	180	81.6	38	965	531	241.4
8016JS2F20144	20	6.1	160	72.6	38	965	547	248.6

ZRA1 Boom Type 360° Rotation								
Part no.	Boom		Capacity		OAH = U +		Weight	
	ft	m	lbs	kg	in.	mm	lbs	kg
8082JA1F04144	4	1.22	820	371.9	38	965	415	188.6
8055JA1F06144	6	1.83	550	249.5	38	965	423	192.3
8041JA1F08144	8	2.44	410	186	38	965	431	195.9
8033JA1F10144	10	3.05	330	149.7	38	965	439	199.5
8027JA1F12144	12	3.66	270	122.5	38	965	447	203.2
8023JA1F14144	14	4.27	230	104.3	38	965	455	206.8
8020JA1F16144	16	4.88	200	90.7	38	965	463	210.5
8018JA1F18144	18	5.49	180	81.6	38	965	471	214.1
8016JA1F20144	20	6.1	160	72.6	38	965	479	217.7

ZRA2 Boom Type 360° Rotation								
Part no.	Boom		Capacity		OAH = U +		Weight	
	ft	m	lbs	kg	in.	mm	lbs	kg
8082JA2F04144	4	1.22	820	371.9	38	965	419	190.5
8055JA2F06144	6	1.83	550	249.5	38	965	435	197.7
8041JA2F08144	8	2.44	410	186	38	965	451	205
8033JA2F10144	10	3.05	330	149.7	38	965	467	212.3
8027JA2F12144	12	3.66	270	122.5	38	965	483	219.5
8023JA2F14144	14	4.27	230	104.3	38	965	499	226.8
8020JA2F16144	16	4.88	200	90.7	38	965	515	234.1
8018JA2F18144	18	5.49	180	81.6	38	965	531	241.4
8016JA2F20144	20	6.1	160	72.6	38	965	547	248.6

For applications not covered on this sheet or pallet based applications, consult the factory.
Dimensional Notes:
 ZRA1, ZRA2 and ZRS2 (Medium)
 U* Standard columns 6 x 6 x 1/4 in. designed for 144 in. (12 ft/3.7 m) under clearance or less.
 P Base plate 3/4 x 18 x 18 in., 8-holes 7/8 in. diameter on a 16 in. (406.4 mm) bolt circle.
 3/4 in. stud anchors or bolts are to be supplied by the customer.

Air supply kits	
Size	Part no.
3/8"	90027
1/2"	90028

Note:
Includes filter regulator assembly with brackets, tagline assembly, and coiled hose

How to order

Jib Crane Model Driver									
Style	Capacity	Jib	Rail type	Mount type	Boom length	Underclearance			
7	080	J	S2	F	08	144			
	lbs kg				ft m	in mm			
7	080 = 080 36.4		A1 = ZRA1	F = Floor	04 = 4 1.22	144 = 144 3657.6			
8	in 10s of lbs		A2 = ZRA2	W = Wall	06 = 6 1.83				
			S2 = ZRS2		08 = 8 2.44				
			S3 = ZRS3		10 = 10 3.05				
					12 = 12 3.66				
					14 = 14 4.27				
					16 = 16 4.88				
					18 = 18 5.49				
					20 = 20 6.10				