

AIR COUPLINGS

Efficient Rapid Air Flow

Capacity is listed as instant reference and depends on operation conditions.

The VESSEL Coupling, "Concent" is used in air tool hose connection, and as an air piping/hose to hose relay in factories. Attachment and removal is by a one-touch joint (ball-lock method), and air flow is efficient and rapid.

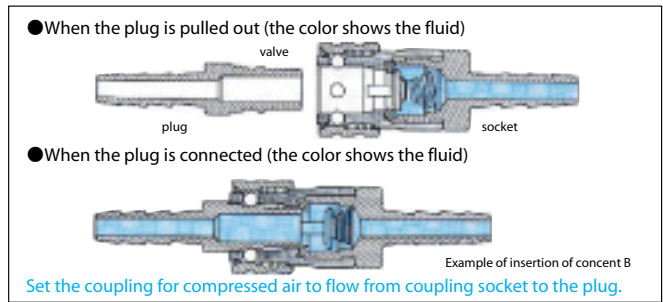
- ① Compact, and with a lightweight design eliminating any sense of heaviness.
- ② Attachment and removal is one-touch process with the ball-lock method, and there are no air leaks.
- ③ Connection can be made even with different hose diameter, and tightening tools are unnecessary.

Interchangeability

All types of plugs for concent B type and nut concent B type can be interchangeable.

Applications

Can be used as an intermediate relay for air drivers, air impact wrenches, grinders, paint appliances, compressors, atomizers, automobile air pressure meters, air vises, automatic equipment, and other various air tools, air output ports for air piping inside factories, and hoses.



Specifications

- * Application fluid ... compressed air
- * Constant working pressure ... ~15kgf / cm² (1.47MPa)
- * Maximum pressure ... 20kg/cm² (1.96MPa)
- * Working temperature range ... -20°C ~ +80°C

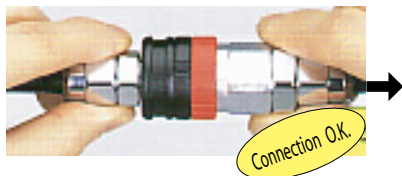
ONE-TOUCH LOCK CONCENT B TYPE

Easy contact by just plug in with lock up function. Large influx type for max. performance of air tools. New concept couplings for efficiency and safety.

Features

One-touch connection

Easily connect or disconnect with one hand.



Includes safety lock mechanism

Prevents unintended disconnection



With dust-resistant ring

Dust-resistant ring prevents entry and sticking of dust and debris into the gap between sleeve and body.

Large influx

Increases working efficiency of air tool. Solves power shortage problem due to branch air piping.



Socket

For hose connection	EDP No.	Product No.	O.A.L. mm	φ D mm	rmm	Min. cross section area mm ²	Weight g	Application
	521302	BLST-2	75	9	23	28	85	For 1/4" hose
	521303	BLST-3	78	11.5	26	44	88	For 3/8" hose
	521304	BLST-4	81	15	29	44	101	For 1/2" hose
For female screw connection (tapered screw)	EDP No.	Product No.	O.A.L. mm	φ D mm	rmm	Min. cross section area mm ²	Weight g	Application
	521312	BLSB-2	65	21	13	44	86	PT 1/4"
	521313	BLSB-3	66	21	14	44	93	PT 3/8"
	521314	BLSB-4	69	23	16	44	105	PT 1/2"
For male screw connection (tapered screw)	EDP No.	Product No.	O.A.L. mm	φ D mm	rmm	Min. cross section area mm ²	Weight g	Application
	521322	BLSN-2	59	21	9.4	44	92	PT 1/4"
	521323	BLSN-3	61	21	9.7	44	90	PT 3/8"
	521324	BLSN-4	65.5	26	12.7	44	120	PT 1/2"
For Urethane hose connection	EDP No.	Product No.	O.A.L. mm	φ D mm	rmm	Min. cross section area mm ²	Weight g	Application hose I.D. × O.D. mm
	521352	BLSH-5	68	14	21	16	92	5.0 × 8.0
	521353	BLSH-6.5	70.5	17	21	28	102	6.5 × 10.0
	521354	BLSH-8	72	19	21	42	108	8.0 × 12.0
	521355	BLSH-8.5	72	19	21	44	109	8.5 × 12.5
For Urethane hose connection	EDP No.	Product No.	O.A.L. mm	φ D mm	rmm	Min. cross section area mm ²	Weight g	Application hose I.D. × O.D. mm
	526256	BLSF-6.5	80	17	19	28	131	6.5 × 10.0
	526258	BLSF-8.5	83	19	21	44	151	8.5 × 12.5

● Hanger hook items are available. ● Interior : 5 items, Exterior : 50 items.

Capacity is listed as instant reference and depends on operation conditions.

CONCENT B TYPE



Socket

For hose connection	EDP No.	No.	L mm	A mm	Application
	521112	BST-2	61	19	For 1/4" hose
	521113	BST-3	64	19	For 3/8" hose
	521114	BST-4	68	21	For 1/2" hose
For female screw connection (tapered screw)	EDP No.	No.	L mm	A mm	Application
	521122	BSB-2	51	19	PT 1/4"
	521123	BSB-3	52	19	PT 3/8"
	521124	BSB-4	56	23	PT 1/2"
For male screw connection (tapered screw)	EDP No.	No.	L mm	A mm	Application
	521132	BSN-2	46	19	PT 1/4"
	521133	BSN-3	47	21	PT 3/8"
	521134	BSN-4	49	26	PT 1/2"

Interior : 5 items, Exterior : 50 items

Specifications

- Application fluid... compressed air
- Constant working pressure...0-15 kgf/cm² (1.47Mpa)
- Maximum pressure...20 kgf/cm² (1.96Mpa)
- Working temperature range... -20° ~ +80°

Plug

For hose connection	EDP No.	No.	L mm	A mm	Application
	521212	BPT-2	50	15	1/4" hose
	521213	BPT-3	53	15	3/8" hose
	521214	BPT-4	56	20	1/2" hose
For female screw connection (tapered screw)	EDP No.	No.	L mm	A mm	Application
	521222	BPB-2	40	14	PT 1/4"
	521223	BPB-3	41	19	PT 3/8"
	521224	BPB-4	46	13	PT 1/2"
For male screw connection (tapered screw)	EDP No.	No.	L mm	A mm	Application
	521232	BPN-2	36	17	PT 1/4"
	521233	BPN-3	37	21	PT 3/8"
	521234	BPN-4	38	26	PT 1/2"
For male screw connection (parallel screw)	EDP No.	No.	L mm	A mm	Application
	521235	BPN-2F	36	17	PF 1/4"

Interior :10 items

Exterior :100 items(Interior 5 items and exterior 50 items for BPT-4, BPB-4, and BPN-4)

- Hanger hook items are available.

NUT CONCENT B TYPE



Socket

For Urethane hose connection	EDP No.	Product No.	L mm	A mm	Application hose inner dia.x outer dia.
	521142	BSH-5	53.5	14	5.0 × 8.0mm
	521144	BSH-6.5	55.5	17	6.5 × 10.0mm
	521145	BSH-8	58	19	8.0 × 12.0mm
	521146	BSH-8.5	58	19	8.5 × 12.5mm

Interior : 5 items, Exterior : 50 items

Specifications

- Application fluid...compressed air
- Constant working pressure...0-15 kgf/cm² (1.47 Mpa)
- Maximum pressure...20 kgf/cm² (1.96 Mpa)
- Working temperature range...-20° ~ +80°

Plug

For Urethane hose connection	EDP No.	Product No.	L mm	A mm	Application hose inner dia. x outer dia.
	521242	BPH-5	43	14	5.0 × 8.0mm
	521243	BPH-6	45.5	17	6.0 × 9.0mm
	521244	BPH-6.5	45.5	17	6.5 × 10.0mm
	521245	BPH-8	47.5	19	8.0 × 12.0mm
	521246	BPH-8.5	47.5	19	8.5 × 12.5mm

Interior : 10 items, Exterior : 100 items

- Hanger hook items are available.

ROTARY CONCENT B TYPE TO AVOID THE HOSE TWISTED



Socket All types of plugs for concent B type and nut concent B type can be used.

For Urethane hose connection	EDP No.	Product No.	L mm	A mm	B mm	Application hose inner dia.x outer dia. mm
	526250	BSF-6.5	70.5	17	19	6.5 × 10.0

Interior : 5 items, Exterior : 50 items

Specifications

- Application fluid...compressed air
- Constant working pressure...0-15 kgf/cm² (1.47 Mpa)
- Maximum pressure...20 kgf/cm² (1.96 Mpa)
- Working temperature range...-20° ~ +80°

Capacity is listed as instant reference and depends on operation conditions.

FREE ANGLE CONCENT B TYPE

Our air couplings help easily eliminate troublesome torsion, kink or bent of air hoses that occurs when connecting the hoses to the air tools. They also facilitate the handling of air hoses so dramatically that your arm and wrist fatigue and damage to the hoses can be alleviated.

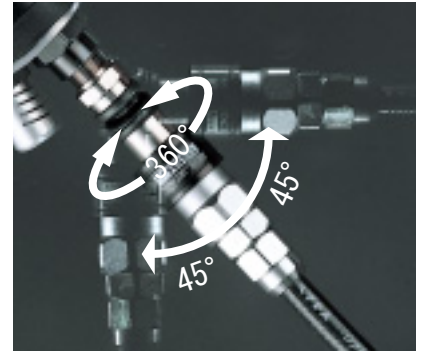
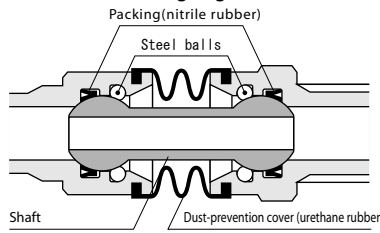
Specification

- * Application fluid... compressed air
- * Maximum pressure ... 10kgf/cm² (0.98Mpa)
- * Working temperature range ... +0 - 60°C

Interchangeability

All types of plugs for concent B type and nut concent B type can be interchangeable.

Construction of the free-moving angle section



Application : Air hoses for use with general air tools for construction work, carpentry, interior finish work, steel work, car repair work, assembly lines, and painting and coating works. Other applications include air screwdrivers, air impact wrenches, air sanders, spray guns, air tuckers, and robot hands.



Socket

For Urethane hose connection	EDP No.	Product No.	L mm	A mm	B mm	Application hose inner dia. x outer dia. mm
	527121	FSH-6.5	84.6	16	17	6.5 × 10

Interior : 5 items

Plug

For hose connection	EDP No.	Product No.	L mm	A mm	B mm	Application
	527102	FPB-2	62.2	17	—	PT 1/4 male screw
	527112	FPN-2F	61.7	17	15.5	PF 1/4 female screw

Interior : 5 items

● Hanger hook items are available.

JOINT CONCENT B TYPE

An air output port can be easily added on. Since the socket part rotates freely vertically and horizontally, the hose cannot become twisted.

BJF-2+BJF-1P

BJF-2

(for 2-branch piping, PT 1/2)
EDP.No.526261

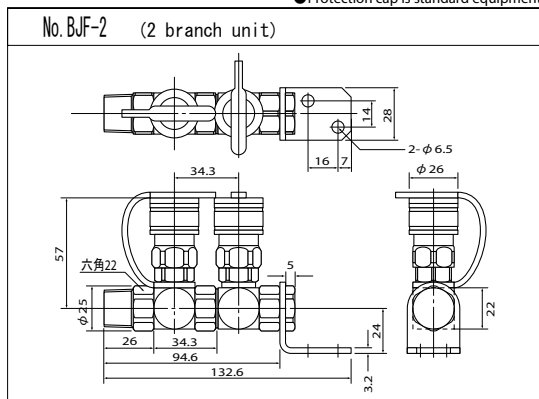


BJF-1P

(for extension or replacement of BJF-2)
* Since this article is for extension or replacement of BJF-2, exercise due care.
EDP.No.526262

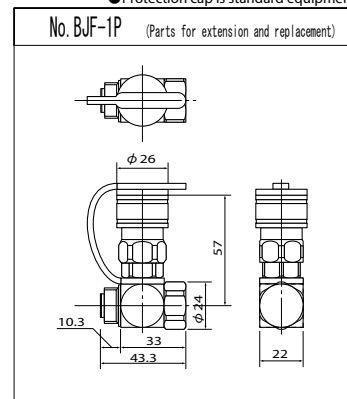


● Protection cap is standard equipment.



Exterior : 5 items
Pre-packed

● Protection cap is standard equipment.



Exterior : 5 items
Pre-packed

Capacity is listed as instant reference and depends on operation conditions.

CONCENT A TYPE



Specification
 *Application fluid ... compressed air *Constant working pressure ... 0-15kgf / cm² (1.47Mpa)
 *Maximum pressure ... 20kgf / cm² (1.96Mpa)*Working temperature range ... -20 - + 80°C

Interchangeability All A type concent are interchangeable to A type plug only

Socket

For hose connection	EDP No.	Product No.	L mm	A mm	Application
	511111	AST-1	64.5	—	1/8" hose
	511112	AST-2	64.5	—	1/4" hose
	511113	AST-3	64.5	—	3/8" hose
For female screw connection (tapered screw)	EDP No.	Product No.	L mm	A mm	Application
	511122	ASB-2	50	16	PT 1/4"
	511123	ASB-3	50	16	PT 3/8"
For male screw connection (parallel screw)	EDP No.	Product No.	L mm	A mm	Application
	511132	ASN-2	51	16	PF 1/4"
	511133	ASN-3	51	19	PF 3/8"

Interior : 5 items(10 items for AST-1,and ASN-3)

Plug

For hose connection	EDP No.	Product No.	L mm	A mm	Application
	511211	APT-1	56.5	16	1/8" hose
	511212	APT-2	56.5	16	1/4" hose
	511213	APT-3	56.5	16	3/8" hose
For female screw connection (tapered screw)	EDP No.	Product No.	L mm	A mm	Application
	511222	APB-2	38.5	17	PT 1/4"
	511223	APB-3	38.5	19	PT 3/8"
For male screw connection (parallel screw)	EDP No.	Product No.	L mm	A mm	Application
	511232	APN-2	30.5	17	PF 1/4"
	511233	APN-3	36.5	19	PF 3/8"

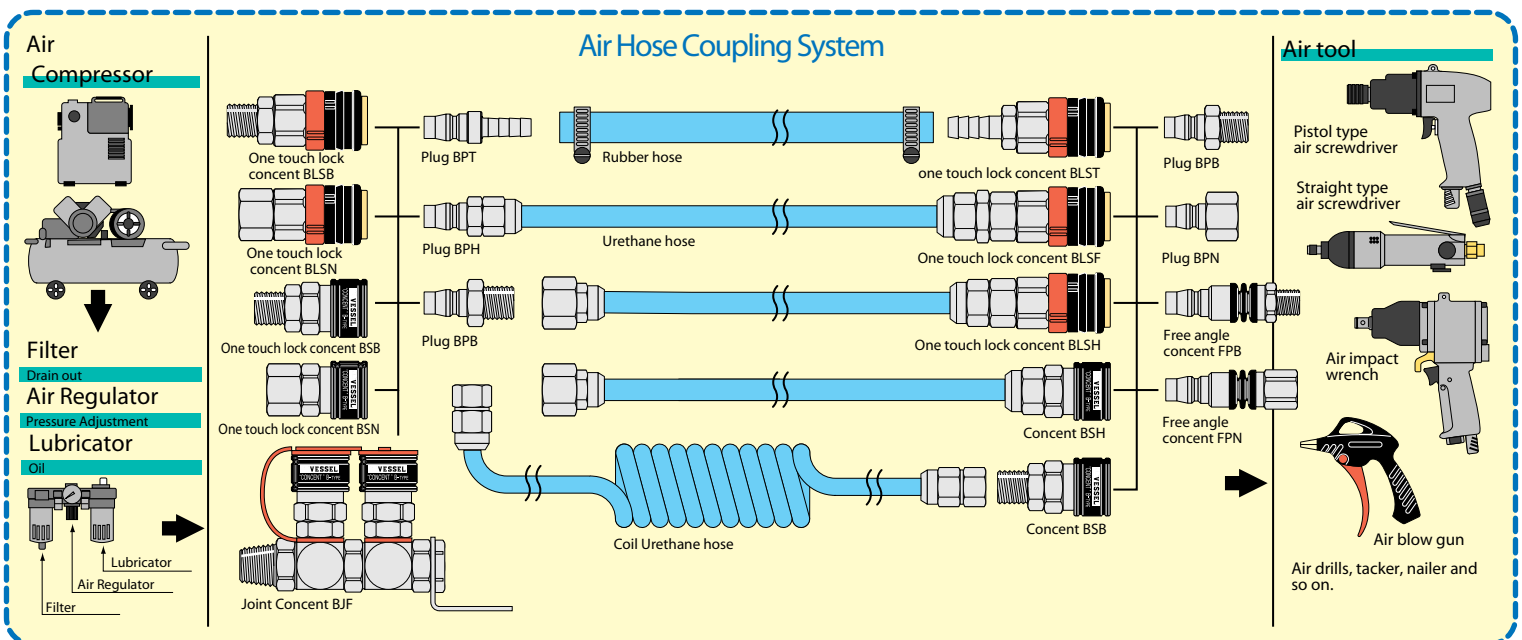
Interior : 10 items

AIR REGULATOR



- When attached to the air tool body (PT 1/4 female screw), the air flow rate can be simply adjusted near to hand, which is very convenient.
 - Dial operation is in the 3 stages of scale 1 (maximum) → 3 (minimum).
- To be used in accordance with the contents of work.

EDP No.	Overall length mm	Weight g	Air pressure kg/cm ² psi	Screw diameter body side x joint side	Applicable model
350012	50	90	6 85	PT1/4 × PT1/4	VESSEL P6LSⅢ, P5S, P5LS, P6MS, P4.5D, P6GD, P6HS, and other air tools



AIR HOSES

For Plant Piping, Air Tools and Air High Pressure Equipment

Elastic and high resistance to flexibility fatigue and oil. excellent oil

EDP No.	Name	Hose I.D.xO.D. φ mm	Max.working pressure kgf/cm ²
881006	Soft urethane hose	6.5 × 10	15
881001	Air hose	6.5 × 12	10

Model No.	Weight g / m
Soft Urethane hose	55.3
Air hose	100



Soft Urethane hose (mesh inserted)



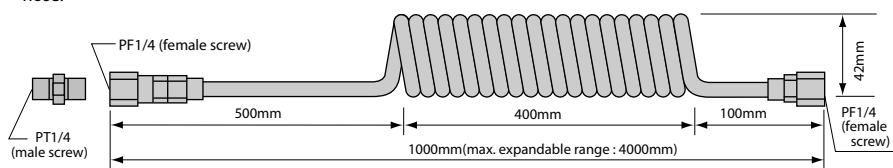
Air hose (thread inserted)

●When ordering, please use metric units. (Exterior : 100 m)

AIR HOSE SET

Coil Urethane hose

Made of polyurethane resin, this hose is lightweight and provides superb flexibility and wear resistance. Its coil diameter is so small that it does not get entangled, thereby allowing multiple pieces of it to be used at the same time. Its long straight area eliminates the need to use a local hose.



AUC-40



EDP No.	Part No.	Hose I.D.xO.D. φ mm	Max.working pressure kgf/cm ²	Weight g / m	Set details
881003	AUC-40	5 × 8	7	—	Coil Urethane hose ... 4m Nipple PT1/4 male screw ...1pc. Concent PF1/4 female screw ...2pcs.

AUA-810 Blue Eight hose set

This hose is ultra-lightweight, and provides excellent flexibility and twice as much resistance to pressure as conventional hoses. Easy to handle and carry, it dramatically reduces your physical fatigue when you have to work in high places with a hose.



Ultra-thin,
Ultra-light weight

AUD-813

The AUD-805 and AUD-813 are suitable for use as a local hose for impact wrenches that create vibrations.

EDP No.	Part No.	Hose I.D.xO.D. φ mm	Max.working pressure kgf/cm ²	Weight g / m	Set details	
881041	AUD-805	8 × 10.5	15	42	Blue eight hose : 0.5m No.BPH8x10.5 for plug :1pc. PT1/4 female screw for joint :1pc.	
881042	AUD-813	8 × 10.5	15	42	Blue eight hose : 1.3m PT1/4 female screw for free-moving angle : 1pc. Concent No.BPH8x10.5 : 1pc.	
881021	AUA-810	8 × 10.5	15	42	Blue Eight hose : 10 m	One-touch lock concent NO.BLSH-8 x 10.5 :1pc. Plug NO. BPH- 8 x 10.5 : 1pc.
881022	AUA-815	8 × 10.5	15	42	Blue Eight hose : 15 m	
881023	AUA-820	8 × 10.5	15	42	Blue Eight hose : 20 m	
881036	AUA-1015	10 × 12.5	15	56	Blue Eight hose : 15m One-touch lock concent Plug NO. BPH 10 x 12.5 : 1pc.	NO.BLSH10x12.5 : 1pc.