

# Cyclone Random Orbital Sanders



## **Cyclone Sanders – Another Performance Standard from Ingersoll-Rand**

Cyclone grinders and finishing tools have established new standards for ergonomic design, power, and speed in material removal applications. Ingersoll-Rand has extended the same innovative philosophy to random orbital sanders, establishing another performance standard – with the Cyclone Series.

### **Cyclone Select Series**

The ultimate in lightweight, efficient design, with comfort and performance to match. One-piece precision-molded composite housing, with color-keyed grip rings that meet operator hand sizes. Available in non-vac and vac-ready models.

### **CycloVac System**

This version of the Select Series features unique new self-generated vacuum system – the most powerful and effective available!

### **Cyclone Standard Series**

These models incorporate traditional aluminum housings with textured comfort grips. Available in non-vac, vac-ready, and venturi-vac models.

All Cyclone sanders deliver unsurpassed reliability, with moisture-resistant composite rotors, fully machined counterweights, and large counterweight bearings. All are lube-free, when used with conventional air systems. Their high performance air motors ensure high speed under load, and the finest in swirl-free finishes.

# Cyclone Random Orbital Sanders Cyclone Select Series

## Cyclone Select Series

The Select Series composite housing keeps overall weight at just 1.83 lbs., with reduced vibration and quiet operation at just 78 dBa.

- High efficiency air motors deliver true 12,000 rpm performance.
- One sander fits all hand sizes, with interchangeable soft rubber grip rings that fit securely around the top of the housing:
- Black for medium hands (standard)
- Grey for small hands
- Blue for large hands



- Vacuum-ready models extract dust and particulates through and around the pad...and then up and directly out a dedicated port, keeping foreign matter away from the motor. Special shroud material prevents surface marring, and lightweight, flexible hoses provide excellent maneuverability

### Another unique feature:

Non-vacuum models can easily be converted to vacuum-ready status with the simple addition of a vacuum adapter, petal pad, and different shroud, if desired.

Choose from four non-vac models, with 5-inch or 6-inch pads, and duck or vinyl pad faces, four vacuum-ready models, for use with central or portable vacuum systems, Or... 2 CycloVac models, self-generated vacuum models. Select short shrouds for maximum workpiece visibility, or long shrouds for maximum dust evacuation.

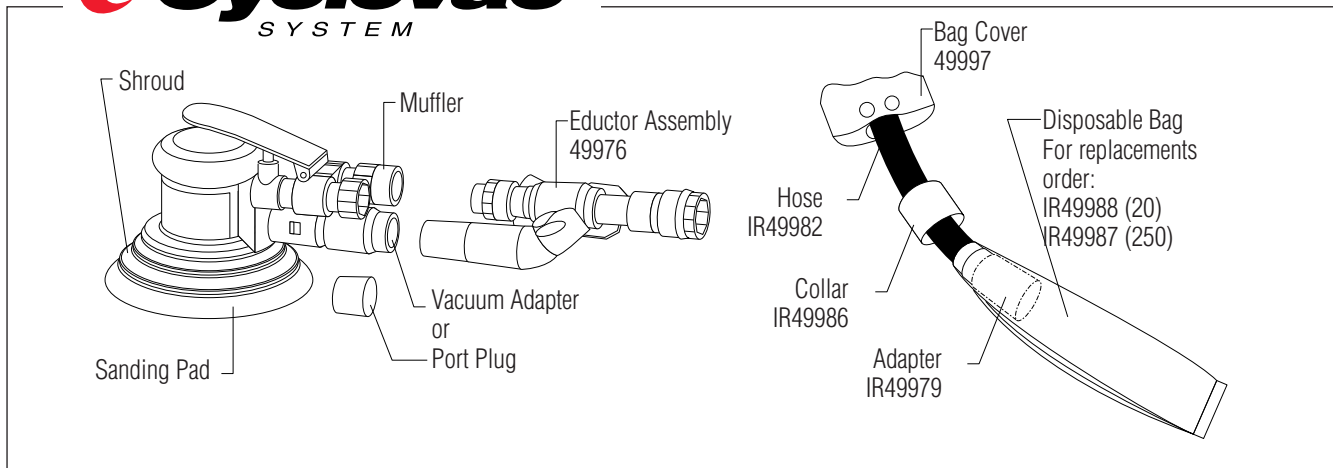


# Cyclone Random Orbital Sanders CycloVac System

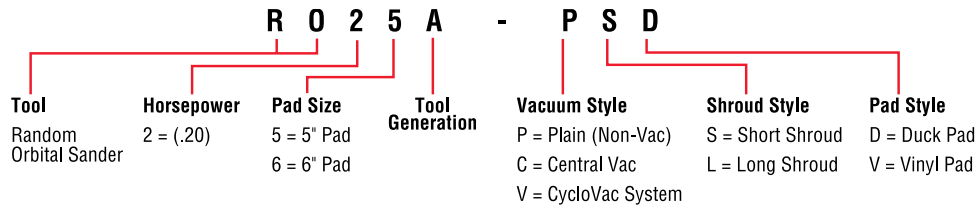
- Unique “double bagging” integral vacuum system that provides a cleaner work environment. This arrangement also promotes the proper disposal of collected particulates for maximum total effect
- Delivers twice the vacuum power of the nearest competitor, and uses a disposable dust bag enclosed in a protective cover
- The sander’s eductor assembly employs a nozzle to produce a high velocity “vac” of tool exhaust air that entrains the air and dust from the sanding area. The diffuser then channels both streams of air through the hose and into the collection bag
- The result: A truly effective, self-contained, self-generated vacuum sanding system in one compact, convenient package



- Available in 5" and 6" pad models, with disposable vacuum bags prepackaged in quantities of 20 or 250. Other Select Series models can be converted to the CycloVac System with an available kit



# Cyclone Random Orbital Sanders Cyclone Select Series/CycloVac System



Model Number	Shroud Style	Pad Size in.	Pad Size mm	Pad Face	Rated Max Free Speed rpm	Power hp	Air Cons. @ Free Speed scfm	Spindle Thread (female)	Weight lb.	kg
<b>Non-Vacuum</b>										
RO25A-PSD	Short	5	127	Duck	12,000	.20	15.8	5/16"-24	1.83	.83
<b>RO25A-PSV*</b>	Short	5	127	Vinyl	12,000	.20	15.8	5/16"-24	1.83	.83
RO26A-PSD	Short	6	152	Duck	12,000	.20	15.8	5/16"-24	1.92	.87
RO26A-PSV	Short	6	152	Vinyl	12,000	.20	15.8	5/16"-24	1.92	.87
<b>Vacuum-Ready</b>										
RO25A-CSV	Short	5	127	Vinyl	12,000	.20	15.8	5/16"-24	1.83	.83
<b>RO25A-CLV*</b>	Short	5	127	Vinyl	12,000	.20	15.8	5/16"-24	1.92	.87
RO26A-CSV	Short	6	152	Vinyl	12,000	.20	15.8	5/16"-24	1.92	.87
RO26A-CLV	Long	6	152	Vinyl	12,000	.20	15.8	85/16"-24	1.92	.87
<b>CycloVac</b>										
RO25A-VLV	Long	5	127	Vinyl	12,000	.20	15.8	5/16"-24	1.92	.87
RO26A-VLV	Long	6	152	Vinyl	12,000	.20	15.8	5/16"-24	1.92	.87

\*Most popular model

Sanding pads have industry-standard hole pattern for "thru-the-pad" vacuum pickup. For use with coated sanding discs with pre-punched holes.

Air inlet: 1/4" NPT Female

Recommended air pressure: 90psi (6.2 bar)

Recommended hose size: 5/16" (8mm) I.D.

Std Equipment: 3 49973

Bag

1 49997

Bag Cover

1 IR49979

Adapter

1 IR49982

Hose

1 IR49986

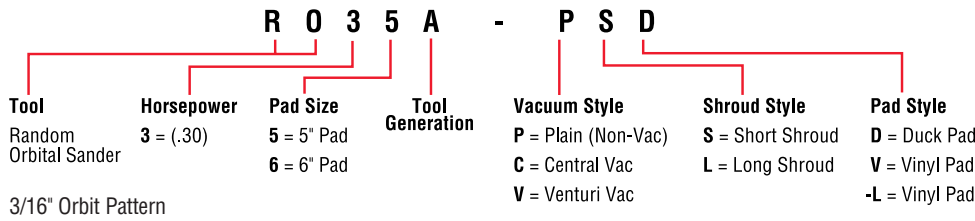
Collar

## Cyclone Random Orbital Sanders Cyclone Standard Series

- Select from non-vac models, vac-ready models for use with central or portable vacuum systems, or venturi-vac models with a self-contained hose and dust collection bag in the Cyclone Standard Series
- Non-vac models can be converted to vac-ready status with an available conversion kit
- Comfortable cushion grip provides excellent feel and control



# Cyclone Random Orbital Sanders Cyclone Standard Series



Model Number		Pad Size		Pad Face	Free Speed	Power	Air Consp.	Spindle	Weight (lb./kg)	
Palm Style	Long Handle	in.	mm	mm	rpm	hp	@ Free Speed scfm	Thread (female)	Palm style	Long handle
<b>Non-Vacuum</b>										
RO35A-PSD	RO35A-PSD-L	5	127	Duck	10,000	.30	18.5	5/16"-24	2.3 1.0	2.6 1.2
RO35A-PSV*	RO35A-PSV-L	5	127	Vinyl	10,000	.30	18.5	5/16"-24	2.3 1.0	2.6 1.2
RO36A-PSD	RO36A-PSD-L	6	152	Duck	10,000	.30	18.5	5/16"-24	2.3 1.0	2.6 1.2
RO36A-PSV*	RO36A-PSV-L	6	152	Vinyl	10,000	.30	18.5	5/16"-24	2.3 1.0	2.6 1.2
<b>Vacuum-Ready</b>										
RO35A-CSV*		5	127	Vinyl	10,000	.30	18.5	5/16"-24	2.4	1.2
RO36A-CSV		6	152	Vinyl	10,000	.30	18.5	5/16"-24	2.4	1.2
<b>Venturi-Vac</b>										
RO35A-VLV		5	127	Vinyl	10,000	.30	18.5	5/16"-24	2.4	1.1
RO36A-VLV		6	152	Vinyl	10,000	.30	18.5	5/16"-24	2.4	1.1

\*Most popular model

Sanding pads have industry-standard hole pattern for "thru-the-pad" vacuum pickup. For use with coated sanding discs with pre-punched holes.

AIR INLET: 1/4" NPT Female RECOMMENDED AIR PRESSURE: 90psi (6.2 bar) RECOMMENDED HOSE SIZE: 5/16" (8mm) I.D.

## Accessories

### Premium Quality Low-Profile Pads

#### Non-vacuum-3/8" (9.5 mm) Thick

(Select and CycloVac only)

- IR49877-1 5" Duck Face
- IR49878-1 5" Vinyl Face
- IR49879-1 6" Vinyl Face
- IR49880-1 6" Duck Face



(Standard only)

- IR49094-1 5" (127 mm) dia., Vinyl Face "diamond" pattern.
- IR49095-1 5" (127 mm) dia., Duck Face
- 351-825-6A 6" (152 mm) dia., Vinyl Face "diamond" pattern.
- IR49098-1 6" (152 mm) dia., Duck Face

#### Vacuum\* 3/8" (9.5 mm) Thick

- IR49096-1 5" (127 m) dia., Vinyl Face "petal" pattern.
- 49099-1 6" (152 m) dia., Vinyl Face "petal" pattern.



### Pad Wrenches

Use to remove sanding pad. Included with every tool.



351-69 for Standard non-vacuum models.  
354-69 for all Standard vacuum models.

### Spanner Wrenches

Use to remove the lock ring securing the motor assembly.



48869 for all CycloVac models.  
44548 for all Standard Series models.

### Grip Rings

Alternate grip rings for Select models.

- IR49801 Small, Grey (optional)
- 49798 Medium, Black (standard)
- IR49799 Large, Blue (optional)



### Vacuum Adapters

49802 (Select)

### Vacuum Hoses

IR49600 6' (1.8m) Hose

Equipped with molded 1" I.D. cuffs at each end.



### Dust Collection Bag (Select)

355-402  
Dust Collection Bag



### CycloVac Disposable Vacuum Bags

- IR49988 Vacuum Bag (20 Pack)
- IR49987 Vacuum Bag (250 Pack)
- 49973 Vacuum Bag (single)

### CycloVac Conversion Kits

- IR49977 Conversion Kit 5"
- IR49978 Conversion Kit 6"  
(To convert non-vac tools to vacuum)

### Service Kits

Contains all the necessary genuine I-R replacement parts for proper preventative maintenance.

- IR49837 (Select) IR49846 (Standard)

\*For use with PSA coated sanding discs with industry-standard pre-punched holes.