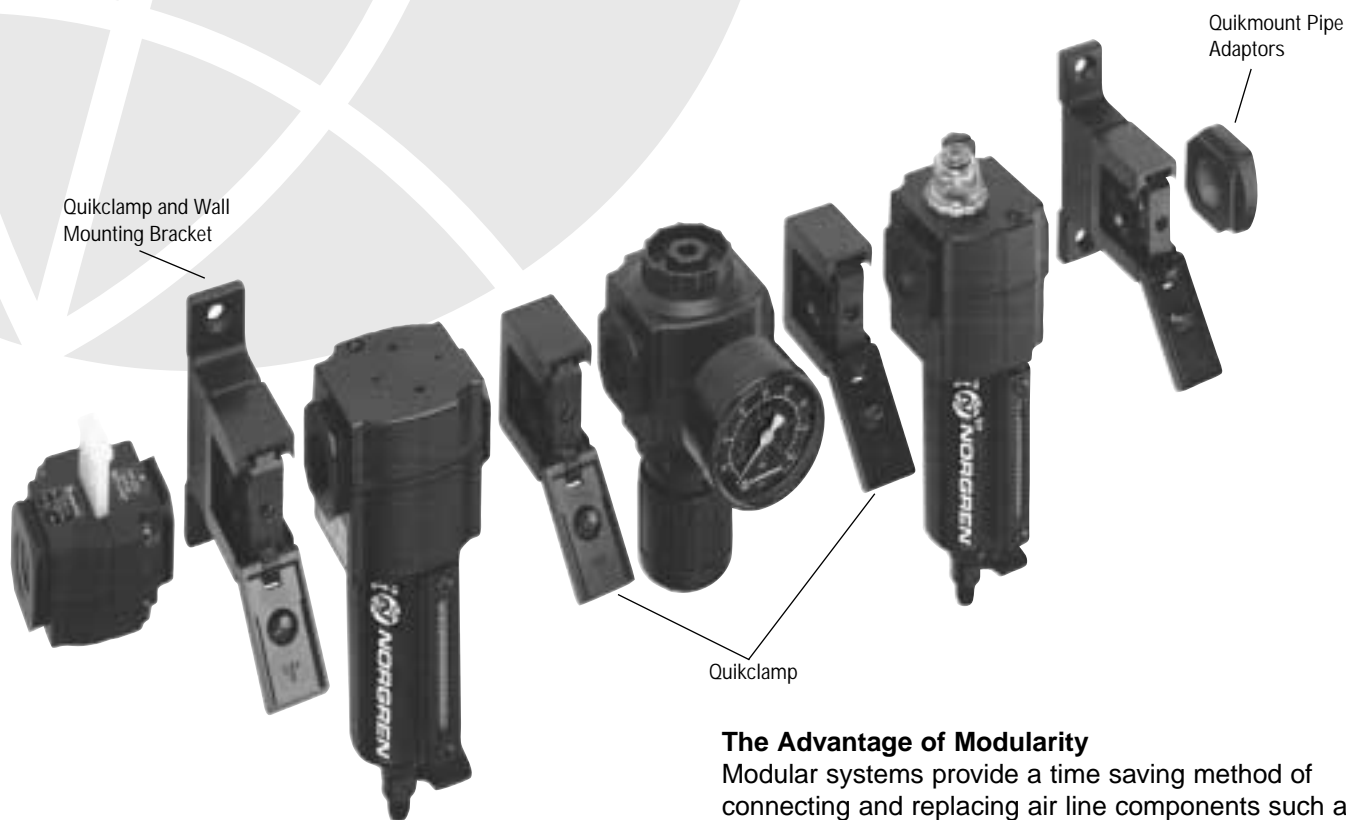


Modular Components

Modular combination unit components for Excelon 72, 73, and 74 Series, and Olympian Plus 64 and 68 Series.

Excelon 72 Series Modular ComponentsALE-24-2
Excelon 73 and 74 Series Modular ComponentsALE-24-3
Olympus 64 Modular ComponentsALE-24-4
Olympus 68 Modular ComponentsALE-24-5



The Advantage of Modularity

Modular systems provide a time saving method of connecting and replacing air line components such as filters, regulators, lubricators, and safety lockout valves.

The heart of the Excelon system is the simple, one-piece Quikclamp that allows installation and removal of Excelon air preparation components and accessories without breaking a pipe connection.

All Excelon 72, 73, and 74 products are designed with integral flanges that slide into V-grooves on the Quikclamp. Two face sealing o-rings provide a positive seal when the clamp is closed and the captive screw is tightened.



72 Series Modular Components

All Dimensions in Inches (mm)

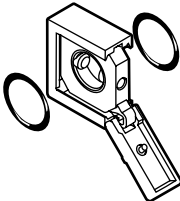
Quikclamp

Maximum Pressure: 17 bar (250 psig)
Maximum Temperature: 65°C (150°F)

Use with all Excelon 72 Products to provide modular installation capability. Flanges on the products slide into V grooves in the Quikclamp. Two face-sealing o-rings in the Quikclamp provide a positive seal when the clamp is closed and the captive screw is tightened.

Tighten screw with a 3 mm hex wrench or a T15 Torx wrench.

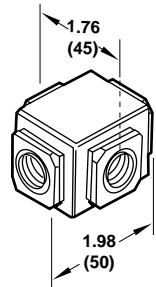
Quikclamp Service Kit (contains 2 Nitrile o-rings): 4384-570
A Quikclamp adds 0.26" (6.5 mm) to the overall length of a combination unit.



Part Number: 4214-51

Manifold Block

Installs with Quikclamps. Ports are threaded 3/8" pipe to provide manifolding capability for up to three components.

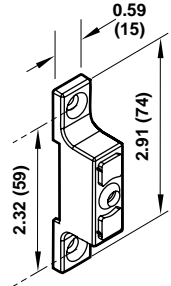


Side

Port Threads	Part Number
3/8" PTF	4228-01
3/8" ISO Rc	4228-02
3/8" ISO G	4228-03

Quikclamp Wall Mounting Bracket

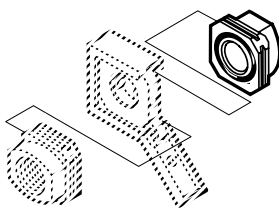
Use with the Quikclamp to provide secure mounting to a wall, machine panel or other flat surface. Use 3/16" (5 mm) screws to mount bracket to wall.



Part Number 4213-89

Quikmount Pipe Adaptors

Use with the Quikclamp to provide threaded connections to the system piping.

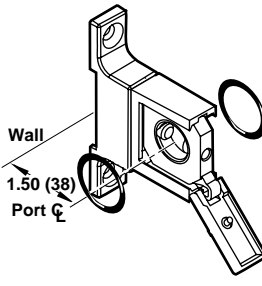


A pipe adaptor adds 0.63" (16 mm) to the overall length of a combination unit.

Port Size and Thread	Part No. (Quantity of 1)
1/4" PTF	4215-02
3/8" PTF	4215-03
1/4" ISO Rc	4215-05
3/8" ISO Rc	4215-06
1/4" ISO G	4215-08
3/8" ISO G	4215-09

Quikclamp and Wall Mounting Bracket

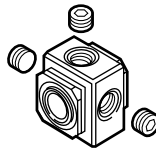
See Quikclamp paragraph for descriptions and dimensions. Use 3/16" (5 mm) screws to mount bracket to wall.



Part Number 4214-52

Porting Block

Installs between two Quikclamps to provide three additional 1/4" outlets for auxiliary air. A Porting Block adds 1.13" (28.5 mm) to the overall length of a combination unit.

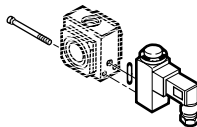


Auxiliary Port

Size & Thread	Part Number
1/4" NPT	4216-50
1/4" ISO Rc	4216-51
1/4" ISO G	4216-52

Replacement Pressure Switch

Use only with pressure switch sub-base. Cannot be used with the standard porting block.



Part Number: 4246-01

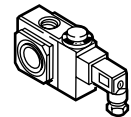
Sub-base Mounted Pressure Switch

Monitors air pressure and provides an electrical output when the pressure drops below or exceeds an adjustable preset pressure. Installs between two Quikclamps. Also provides two additional 1/4" outlets for auxilliary air.

P₁max: 250 psig (17 bar)
Temperature: 14° to 150°F (-10° to 65°C)
Adjustable: 30 to 150 psig (2 to 10 bar). Shipped from factory preset at 90 psig (6.3 bar)

Max. Voltage: 250 V a.c./d.c.
Max. Current: 5 Amp
Hysteresis at Midpoint: 12%

A Sub-base Mounted Pressure Switch adds 1.13" (29 mm) to the overall length of a combination unit.




Auxiliary Port

Threads	Part Number
1/4" PTF	4246-50
1/4" ISO Rc	4246-51
1/4" ISO G	4246-52

Transition Connector

Enables connection of Excelon 72 to 74 units. Typically this will allow F74C/H high grade coalescing filters to be flow matched with R72 regulators.

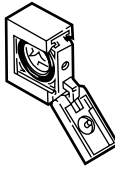
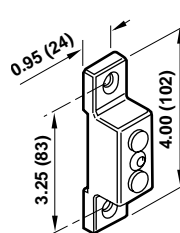
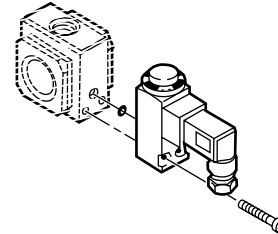
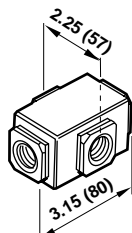
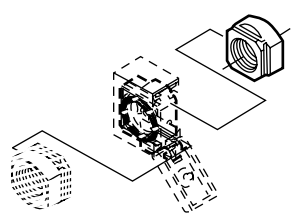
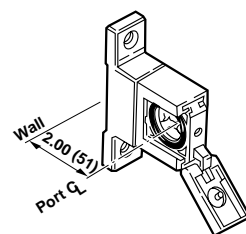
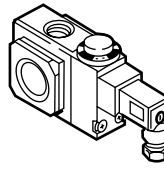
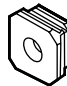



Part Number: 4417-01

73 and 74 Series Modular Components

All Dimensions in Inches (mm)

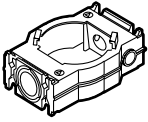
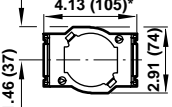
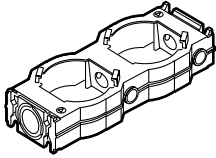
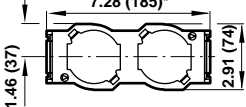
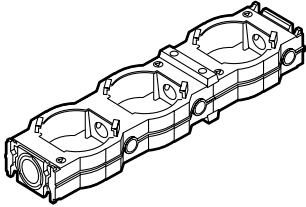
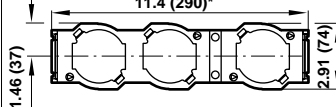
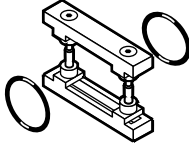


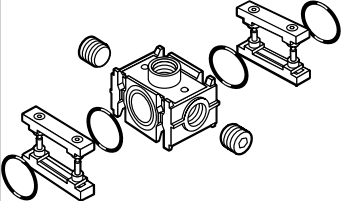
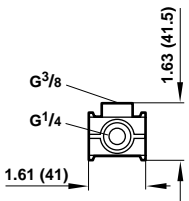
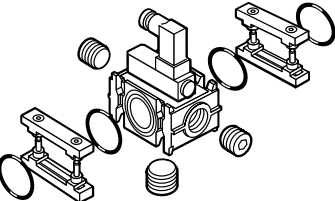
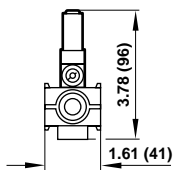
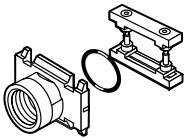
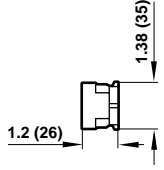
<p>Quikclamp</p> <p>Use with all 73 and 74 Series Products to provide modular installation capability. Flanges on the products slide into V grooves in the Quikclamp. Two face-sealing o-rings in the Quikclamp provide a positive seal when the clamp is closed and the captive screw is tightened. A Quikclamp adds 0.54" (13.6 mm) to the overall length of a combination unit. Tighten screw with a 5/32" (4 mm) hex or T25 Torx wrench.</p>  <p>Material: Zinc Quikclamp part number: 4314-51 O-ring kit part number: 4384-770</p>	<p>Quikclamp Wall Mounting Bracket</p> <p>Use with the Quikclamp to provide secure mounting to a wall, machine panel or other flat surface. Use No. 12 (6 mm) screws to mount bracket to wall.</p>  <p>Material: Zinc Part number: 4313-50</p>	<p>Replacement Pressure Switch</p> <p>Use only with the pressure switch subbase. Cannot be used with the standard porting block.</p>  <p>Material: Aluminum Pressure switch part number: 4346-01 Replacement connector: 4346-01R</p>	<p>Manifold Block</p> <p>Installs with Quikclamps. Ports are threaded 3/4" pipe to provide manifolding capability for up to three components.</p>  <table border="1"> <tr> <td>Material:</td> <td>Zinc</td> </tr> <tr> <td>Part number</td> <td>Side port threads</td> </tr> <tr> <td>4328-51</td> <td>3/4" PTF</td> </tr> <tr> <td>4328-53</td> <td>3/4" ISO G</td> </tr> <tr> <td>4328-52</td> <td>3/4" ISO Rc</td> </tr> </table>	Material:	Zinc	Part number	Side port threads	4328-51	3/4" PTF	4328-53	3/4" ISO G	4328-52	3/4" ISO Rc																										
Material:	Zinc																																						
Part number	Side port threads																																						
4328-51	3/4" PTF																																						
4328-53	3/4" ISO G																																						
4328-52	3/4" ISO Rc																																						
<p>Quikmount Pipe Adapters</p> <p>Use with the Quikclamp to provide threaded connections to the system piping. Each pipe adapter adds 0.71" (18 mm) to the overall length of a combination unit (each kit contains one adapter).</p>  <table border="1"> <tr> <td>Material:</td> <td>Aluminum</td> </tr> <tr> <td>Part number (Qty 1)</td> <td>Port size and thread</td> </tr> <tr> <td>4315-01</td> <td>1/4" PTF</td> </tr> <tr> <td>4315-02</td> <td>3/8" PTF</td> </tr> <tr> <td>4315-03</td> <td>1/2" PTF</td> </tr> <tr> <td>4315-04</td> <td>3/4" PTF</td> </tr> <tr> <td>4315-05</td> <td>1/4" ISO Rc</td> </tr> <tr> <td>4315-06</td> <td>3/8" ISO Rc</td> </tr> <tr> <td>4315-07</td> <td>1/2" ISO Rc</td> </tr> <tr> <td>4315-08</td> <td>3/4" ISO Rc</td> </tr> <tr> <td>4315-09</td> <td>1/4" ISO G</td> </tr> <tr> <td>4315-10</td> <td>3/8" ISO G</td> </tr> <tr> <td>4315-11</td> <td>1/2" ISO G</td> </tr> <tr> <td>4315-12</td> <td>3/4" ISO G</td> </tr> </table>	Material:	Aluminum	Part number (Qty 1)	Port size and thread	4315-01	1/4" PTF	4315-02	3/8" PTF	4315-03	1/2" PTF	4315-04	3/4" PTF	4315-05	1/4" ISO Rc	4315-06	3/8" ISO Rc	4315-07	1/2" ISO Rc	4315-08	3/4" ISO Rc	4315-09	1/4" ISO G	4315-10	3/8" ISO G	4315-11	1/2" ISO G	4315-12	3/4" ISO G	<p>Quikclamp and Wall Mounting Bracket</p> <p>See preceding paragraphs for descriptions and dimensions.</p>  <p>Material: Zinc Part number: 4314-52 L74 1 quart 4314-55</p>	<p>Subbase Mounted Pressure Switch</p> <p>Monitors air pressure and provides an electrical output when the pressure drops below or exceeds an adjustable preset pressure. Installs between two Quikclamps. Also provides three additional 1/4" outlets for auxiliary air. A Subbase Mounted Pressure Switch adds 1.30" (33 mm) to the overall length of a combination unit.</p>  <p>Specifications</p> <p>Maximum Pressure: 300 psig (20 bar) Maximum Temperature: 175°F (80°C) Adjustable Range: 30 to 150 psig (2 to 10 bar) Shipped from factory preset at 90 psig (6.2 bar). Maximum Voltage: 240V ac/dc Maximum Current: 5 Amp Hysteresis at Midpoint: 12%</p> <p>Materials: Zinc subbase, Aluminum switch</p> <table border="1"> <tr> <td>Part number</td> <td>Auxiliary port thread</td> </tr> <tr> <td>4346-50</td> <td>1/4" PTF</td> </tr> <tr> <td>4346-51</td> <td>1/4" ISO Rc</td> </tr> <tr> <td>4346-52</td> <td>1/4" ISO G</td> </tr> </table>	Part number	Auxiliary port thread	4346-50	1/4" PTF	4346-51	1/4" ISO Rc	4346-52	1/4" ISO G	<p>Transition Connector</p> <p>Enables connection of Excelon 72 to 74 units. A transition connector adds 0.06" (1.5mm) to the overall length of a combination unit.</p>  <p>Material: Aluminum Part Number: 4417-01</p>
Material:	Aluminum																																						
Part number (Qty 1)	Port size and thread																																						
4315-01	1/4" PTF																																						
4315-02	3/8" PTF																																						
4315-03	1/2" PTF																																						
4315-04	3/4" PTF																																						
4315-05	1/4" ISO Rc																																						
4315-06	3/8" ISO Rc																																						
4315-07	1/2" ISO Rc																																						
4315-08	3/4" ISO Rc																																						
4315-09	1/4" ISO G																																						
4315-10	3/8" ISO G																																						
4315-11	1/2" ISO G																																						
4315-12	3/4" ISO G																																						
Part number	Auxiliary port thread																																						
4346-50	1/4" PTF																																						
4346-51	1/4" ISO Rc																																						
4346-52	1/4" ISO G																																						
	<p>Porting Block</p> <p>Installs between two Quikclamps to provide three additional 1/4" outlets for auxiliary air. A Porting Block adds 1.30" (33 mm) to the overall length of a combination unit.</p>  <p>Material: Zinc</p> <table border="1"> <tr> <td>Part number</td> <td>Auxiliary port size and thread</td> </tr> <tr> <td>4316-50</td> <td>1/4" PTF</td> </tr> <tr> <td>4316-51</td> <td>1/4" ISO Rc</td> </tr> <tr> <td>4316-52</td> <td>1/4" ISO G</td> </tr> </table>	Part number	Auxiliary port size and thread	4316-50	1/4" PTF	4316-51	1/4" ISO Rc	4316-52	1/4" ISO G																														
Part number	Auxiliary port size and thread																																						
4316-50	1/4" PTF																																						
4316-51	1/4" ISO Rc																																						
4316-52	1/4" ISO G																																						

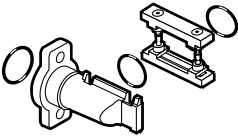
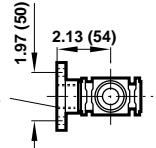
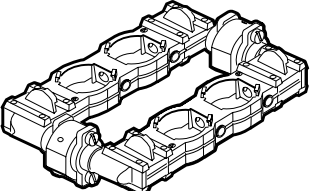


64 Series Modular Components

All Dimensions in Inches (mm)

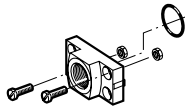
Single Yoke	Double Yoke	Triple Yoke	Yoke Connector
  * 3/4 = 6.18 (157)	  * 3/4 = 9.33 (237)	  * 3/4 = 13.46 (342)	 74503-51
1/4 Y64A-2AA-N1N	1/4 Y64A-2AA-N2N	1/4 Y64A-2AA-N3N	
3/8 Y64A-3AA-N1N	3/8 Y64A-3AA-N2N	3/8 Y64A-3AA-N3N	
1/2 Y64A-4AA-N1N	1/2 Y64A-4AA-N2N	1/2 Y64A-4AA-N3N	
3/4 Y64A-6AA-N1N	3/4 Y64A-6AA-N2N	3/4 Y64A-6AA-N3N	

Porting Block	Adjustable Pressure Switch	End Connector
 <ul style="list-style-type: none"> ● (2) 1/4 outlets ● (1) 3/8 outlet  P ₁ max. = 250 psi (17 bar) T max. = 175°F (80°C)	 <ul style="list-style-type: none"> ● 30-150 psi (2-10 bar) adjustable ● Porting block mounted ● DIN 43650 form C connector  P ₁ max. = 250 psi (17 bar) T max. = 175°F (80°C) I max. = 5 A V max. = 240 V Reset differential = 15 psi (1 bar) nominal	 <ul style="list-style-type: none"> ● For use with end mounted porting block ● 1/2 or 3/4 over porting  1/2 74505-50 3/4 74505-53
74507-50	4346-99	

Rear Entry Bracket Kit	Duplex Kit
  18-026-981	 18-026-978



End Connector Kit



Note: Two kits are required per unidaptor. Each kit contains end connector, screws, nuts and o-ring.

Port Size	Part Number
NPT 1/2	5524-56
NPT 3/4	5524-53
NPT 1	5524-50
NPT 1-1/4	5523-50
NPT 1-1/2	5523-95

Yoke Connecting Kit

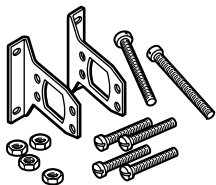


Comprising seal, screws and nuts. Part Number 18-026-987

Mounting Bracket

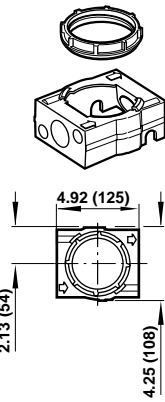
Brackets slip over end connectors and are bolted to Unidaptor with nuts and screws provided.

Note: Each kit contains 6 screws (2 x 80 mm and 4 x 35 mm) and 4 nuts.



Part Number	Port Size
18-001-979	1/2" ported yoke
18-001-979	3/4" ported yoke
18-001-979	1" ported yoke
18-001-978	1-1/4" ported yoke
N/A	1-1/2" ported yoke

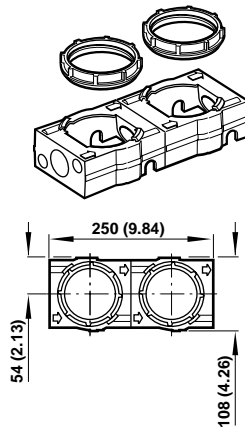
Single Yoke



Part Number: 74785-98

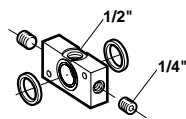
Double Yoke

Part Number: 74785-51



Porting Block

May be fitted to end connectors, shut-off valves, or yokes. Provides additional outlets for auxiliary air.



A porting block adds 29 mm (1.14") to the overall length of a combination unit.

To order separately:

Thread Type	Part Number
ISO G	18-026-986
N.P.T.	18-026-983

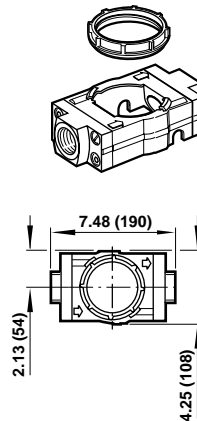
To order unidaptor with porting block installed after 1st yoke:

With shut-off valve and porting block:

Change **B** to **E** in 4th position of unidaptor model number.

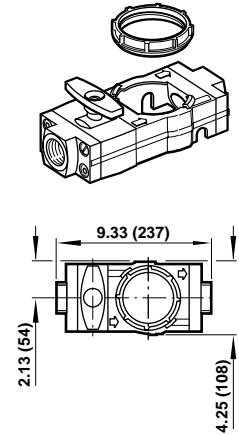
Without shut-off valve, with porting block: Change **A** to **F** in 4th position of unidaptor model number.

Single Unidaptor



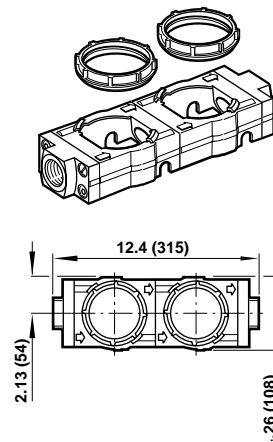
Port Size	Part Number
NPT 1/2	Y68A-4AN-N1N
NPT 3/4	Y68A-6AN-N1N
NPT 1	Y68A-8AN-N1N
NPT 1-1/4	Y68A-AAN-N1N
NPT 1-1/2	Y68A-BAN-N1N

Single Shut-off Unidaptor



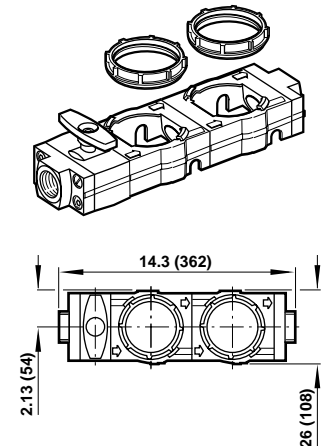
Port Size	Part Number
NPT 1/2	Y68B-4AN-E1N
NPT 3/4	Y68B-6AN-E1N
NPT 1	Y68B-8AN-E1N
NPT 1-1/4	Y68B-AAN-E1N
NPT 1-1/2	Y68B-BAN-E1N

Double Unidaptor



Port Size	Part Number
NPT 1/2	Y68A-4AN-N2N
NPT 3/4	Y68A-6AN-N2N
NPT 1	Y68A-8AN-N2N
NPT 1-1/4	Y68A-AAN-N2N
NPT 1-1/2	Y68A-BAN-N2N

Double Shut-off Unidaptor



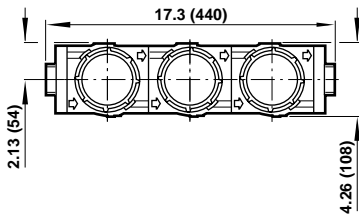
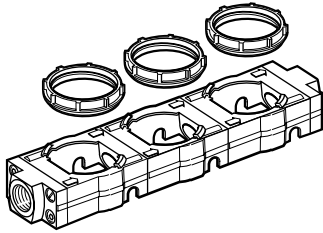
Port Size	Part Number
NPT 1/2	Y68B-4AN-E2N
NPT 3/4	Y68B-6AN-E2N
NPT 1	Y68B-8AN-E2N
NPT 1-1/4	Y68B-AAN-E2N
NPT 1-1/2	Y68B-BAN-E2N



68 Series Modular Components

All Dimensions in Inches (mm)

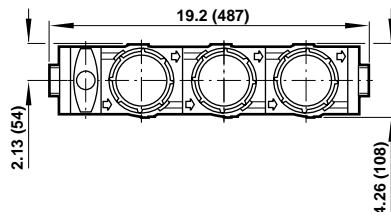
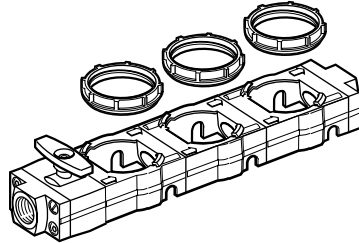
Treble Unidaptor



Port Size

NPT 1/2	Y68A-4AN-N3N
NPT 3/4	Y68A-6AN-N3N
NPT 1	Y68A-8AN-N3N
NPT 1-1/4	Y68A-AAN-N3N
NPT 1-1/2	Y68A-BAN-N3N

Treble Shut-off Unidaptor



Port Size

NPT 1/2	Y68B-4AN-E3N
NPT 3/4	Y68B-6AN-E3N
NPT 1	Y68B-8AN-E3N
NPT 1-1/4	Y68B-AAN-E3N
NPT 1-1/2	Y68B-BAN-E3N

Alternative 68 Series Unidaptor Models

Shut-Off Valve and Porting Block	Substitute
No shut-off valve, No porting block	A
With shut-off valve, No porting block	B
With shut-off valve, With porting block	E
No shut-off valve, With porting block	F

Port Size	Substitute
3/4"	6
1"	8
1 1/4"	A
1 1/2"	B

Threads	Substitute
PTF	A
ISO Rc taper	B
ISO G parallel	G



Wall Mounting Bracket	Substitute
Without	N
With	B

Yoke	Substitute
Single	1
Double	2
Triple	3

Shut-Off Valve Type	Substitute
2-port/2-position, Padlocks open or closed, No exhaust, Black handle	A
3-port/2-position, Padlocks open or closed, Unthreaded exhaust, Black handle	C
3-port/2-position, Not lockable, Threaded exhaust, Black handle	D
3-port/2-position, Padlocks closed only, Unthreaded exhaust, Yellow handle	E *
2-port/2-position, Not lockable, No exhaust, Black handle	G
No shut-off valve	N

* Meets OSHA requirements.