

Additional Compressed Air Products

Exhaust Silencers, Drip Leg Drains, Gauges, Needle Valves, and Blow guns.

Contents

Olympian CS13 Coalescing Exhaust Silencers	
1/4", 3/8", 1/2", and 3/4" ports	...ALE-19-2
Olympian CS15 Coalescing Exhaust Silencers	
3/4", 1", 1-1/4", and 1-1/2" ports	...ALE-19-4
17-016 Drip Leg Drain 1/2" ports	...ALE-19-6
Air Pressure Gauges 1/8" and 1/4" ports	...ALE-19-8
High Pressure Needle Valves 1/8" and 1/4" ports	...ALE-19-11
Regulated Blow Gun 1/4" port	...ALE-19-12



CS15



CS13



17-016



Gauges



Needle Valves



Blow Gun

Olympian Plus Coalescing Exhaust Silencers
1/4", 3/8", 1/2", 3/4" Port Sizes

- Olympian plug in design
- Reduces noise from multi valve and cylinder circuits
- Removes oil mist and sub micron particles from exhausting air
- Flow in either direction
- Helps to meet noise at work directive

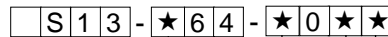


Ordering Information. Models listed include PTF threads.

Port Size	Model	Weight lb (kg)
1/4"	CS13-264-10AA	2.98 (1.35)
3/8"	CS13-364-10AA	2.93 (1.33)
1/2"	CS13-464-10AA	2.87 (1.30)
3/4"	CS13-664-10AA	3.66 (1.66)

For single silencer with one main outlet plugged substitute 'X' for 'G' at the 11th digit eg: CS13-464-10GX.

Alternative Models



Port Size	Substitute
1/4"	2
3/8"	3
1/2"	4
3/4"	6

Option	Substitute
With yoke	1
Without yoke*	0

Port Option	Substitute
PTF threaded	A A
ISO G threaded	D D
ISO Rc threaded	B B
One main outlet plugged (PTF)	A X
One main outlet plugged (ISO G)	D X
One main outlet plugged (ISO Rc)	B X

* For replacement Silencer (without yoke) substitute '0' at the 5th, 8th, 10th and 11th digits eg: CS13-064-0000.

ISO Symbol



See Section ALE-25 for Accessories



Technical Data

Fluid: Compressed air

Maximum pressure:

0** to 122°F (-20** to 50°C)

* Air supply must be dry enough to avoid ice formation at temperatures below 35°F (2°C).

Materials

Body: Zinc

Yoke: Zinc

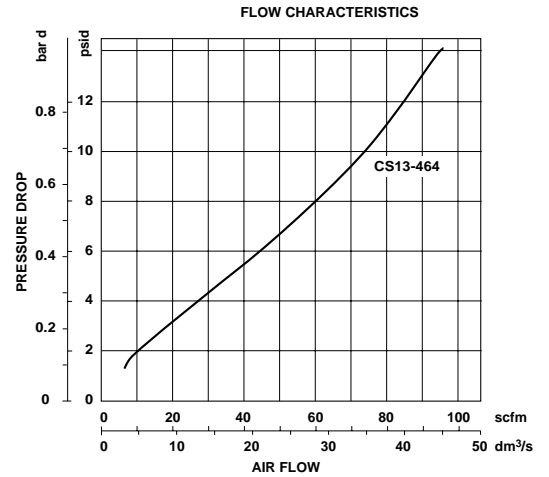
Cage: Aluminum

Element: Composite materials

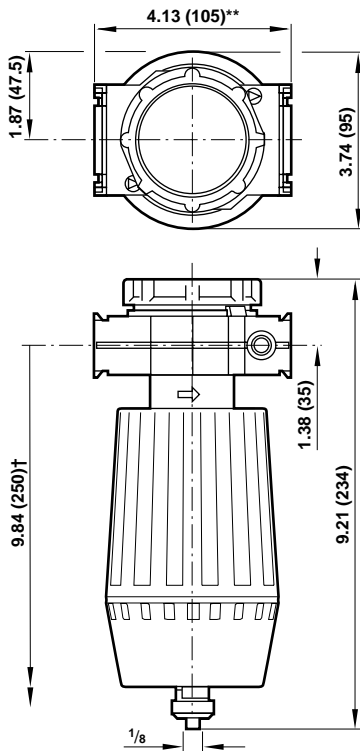
Elastomers: Synthetic rubber

Bowl: Polypropylene

Typical Performance Characteristics



All Dimensions in Inches (mm)



** 6.18" (157 mm) for 3/4 models

† Minimum clearance required to remove bowl.

Service Kits

Item	Part Number
Service kit	CS13RK
Replacement element	3236-01

Service kit includes bowl, drain plug and drain retainer.

Olympian Coalescing Exhaust Silencers
3/4", 1", 1-1/4", 1-1/2" Port Sizes

- Olympian plug in design
- Effectively reduce noise emission of multi valve and cylinder systems
- Remove oil mist and sub-micron particles from exhaust air
- Single or double units for high flow rates
- Flow in either direction
- Helps to meet noise at work directive



Ordering Information. Models listed include PTF threads.

Port Size	Single	Weight lb (kg)	Double	Weight lb (kg)
3/4"	CS15-600-10AA	5.20 (2.34)	CS15-600-20AA	9.47 (4.26)
1"	CS15-800-10AA	5.09 (2.29)	CS15-800-20AA	9.36 (4.21)
1-1/4"	–		CS15-A00-20AA	9.49 (4.27)
1-1/2"	–		CS15-B00-20AA	9.51 (4.28)

For replacement silencer without yoke substitute '0' at the 5th, 8th, 10th and 11th digits eg:CS15-000-0000.

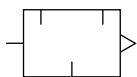
Alternative Models

C S 1 5 - ★ 0 0 - ★ 0 ★ ★

Port Size	Substitute
3/4"	6
1"	8
1-1/4"	A
1-1/2"	B

Option	Substitute
Single yoke	1
Double yoke	2

Port Option	Substitute
PTF threaded	A A
ISO G threaded	D D
ISO Rc threaded	B B
One main outlet plugged (PTF)	A X
One main outlet plugged (ISO G)	D X
One main outlet plugged (ISO Rc)	B X

ISO Symbol


Automatic Drain

See Section ALE-25 for Accessories

CS15 Coalescing Exhaust Silencers



All Dimensions in Inches (mm)

Typical Performance Characteristics

Technical Data

Fluid: Compressed air
Operating temperature*

Metal bowl: 0° to 122°F (-20° to 50°C)

* Air supply must be dry enough to avoid ice formation at temperatures below 35°F (2°C).

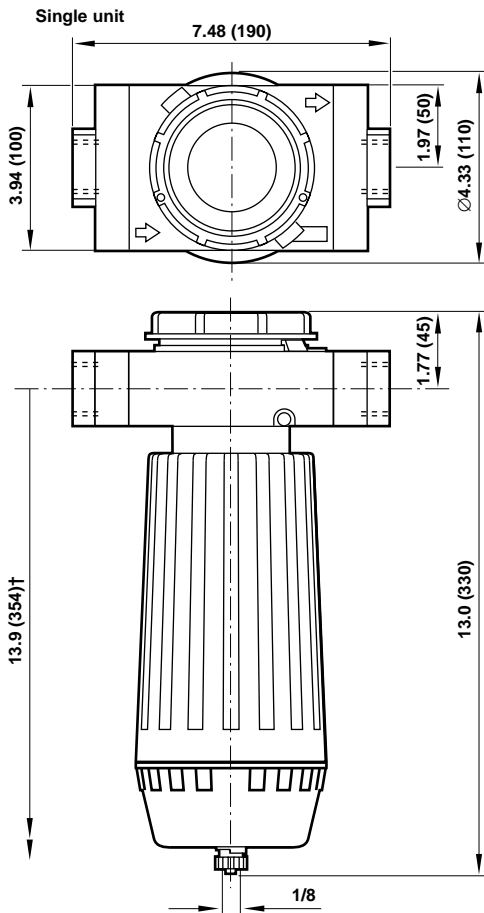
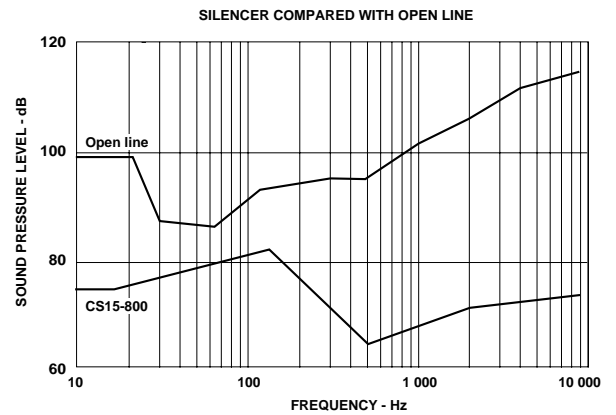
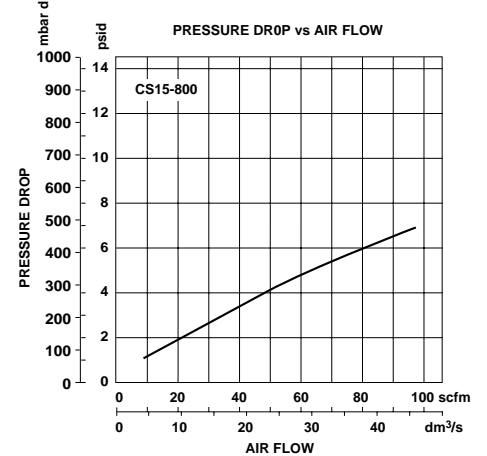
Materials

- Body: Aluminum
- Yoke: Aluminum
- Cage: Aluminum
- Bowl: Polypropylene
- Element: Composite materials
- Elastomers: Synthetic rubber

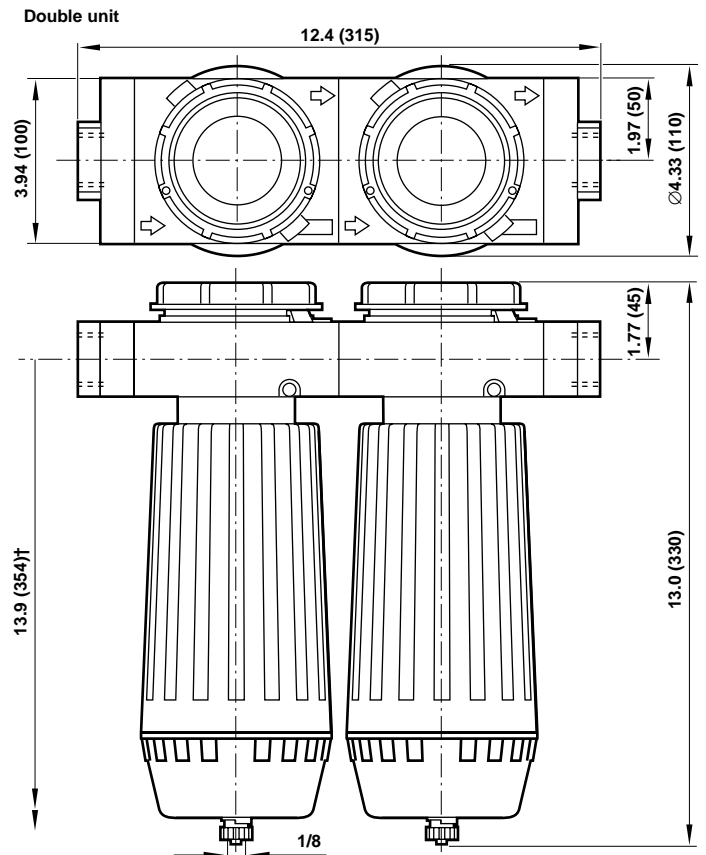
Service Kits

Item	Part Number
Service kit	CS15RK
Replacement elements	5576-97

Service kit includes: bowl, drain plug and drain retainer.



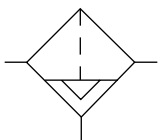
† Minimum clearance required to remove bowl.



- Automatically expels liquids from the piping network
- Can be disassembled without the use of tools or removal from the air line
- Automatic drain valve opens when system is unpressurized, allowing water to escape by gravity
- Automatic drain valve is float operated when system is pressurized
- Install at low points and at far end of piping network


Ordering Information.

Port Size	Bowl Type	Bowl Size	Model Number	Weight lbs (kg)
1/2" PTF	Transparent	1/3 pint (0.16 liter)	17-016-104	0.8 (0.38)
1/2" PTF	Metal with sight glass	1/3 pint (0.16 liter)	17-016-107	1.3 (0.59)
1/2" PTF	Transparent	3 fluid ounce (0.09 liter)	17-016-102	0.8 (0.38)

ISO Symbol


Automatic Drain



Technical Data

Fluid: Compressed air

Maximum pressure

Transparent bowl: 150 psig (10 bar)

Metal bowl: 250 psig (17 bar)

Operating temperature*

Transparent bowl: 0° to 125°F (-20° to 50°C)

Metal bowl: 0° to 175°F (-20° to 80°C)

* Air supply must be dry enough to avoid ice formation at temperatures below 35°F (2°C).

Automatic drain connection: 1/8" pipe thread

Automatic drain operating conditions (float operated):

Bowl pressure required to close drain: Greater than 5 psig (0.3 bar)

Minimum air flow thru drain required to close drain: 2 scfm (1 dm³/s).

Bowl pressure required to open drain: Less than 3 psig (0.2 bar)

Manual operation: Depress pin inside drain outlet to drain bowl

Flexible tube with 0.125" (3mm) minimum I.D. can be connected to the drain.

Avoid restrictions in the tube.

Nominal bowl size

Standard: 1/3 pint (0.16 liter)

Optional: 3 fluid ounce (0.09 liter)

Materials

Body: Zinc

Bowl

Transparent: Polycarbonate

Metal: Zinc

Drain mechanism: Acetal, Nitrile, stainless steel

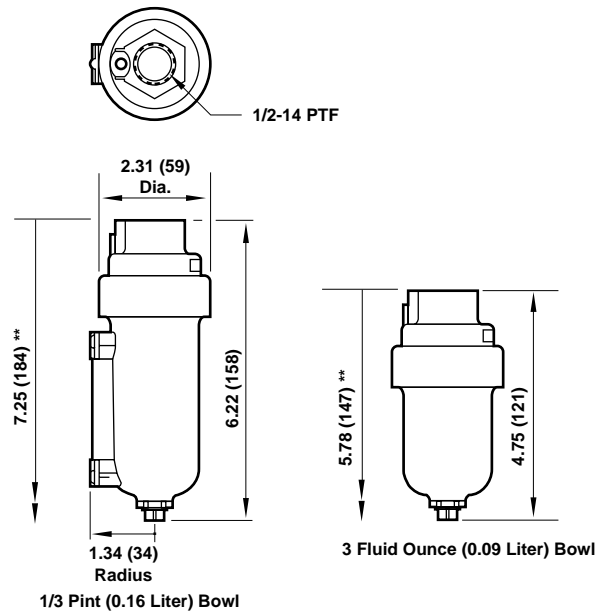
Metal bowl liquid level indicator lens: Pyrex

Elastomers: Nitrile

Service Kits

Item	Type	Part Number
Replacement drain	Automatic	3000-10
Liquid level lens kit	Pyrex	2273-20

All Dimensions in Inches (mm)



** Minimum clearance required to remove bowl.

- **Monitor pressures in compressed air systems for optimum efficiency**
- **Triple calibrated scale indicates pressure in psi, bar, and Mpa (megapascal)**
- **Back or bottom connection**
- **Panel mount, stainless steel, and Underwriters Laboratories, Inc. listed gauges available**

**Technical Data**

Fluid: Compressed air and inert gasses

Maximum pressure: 100% of full scale on gauge

Operating temperature: -30° to 175°F (-34° to 80°C)*

* Air supply must be dry enough to avoid ice formation at temperatures below 35°F (2°C).

Accuracy:

2% of full scale at midrange

3% of full scale at other ranges

Materials**Body**

Standard: Gauges may have a steel or plastic body

Optional: Stainless steel

Crystal:

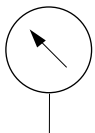
Standard steel and plastic bodies have plastic crystal

Optional stainless steel body has glass crystal

Connector:

Standard steel and plastic bodies have brass connector

Optional stainless steel body has stainless steel connector

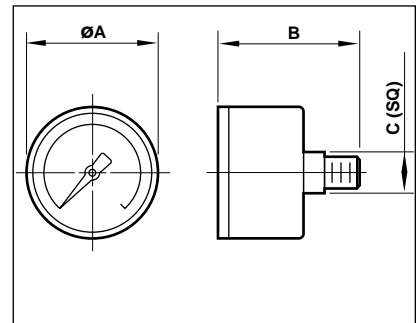
ISO Symbol



Ordering Information, Black Face Gauges - psi outer scale, bar middle scale, Mpa inner scale

Center Back Connection

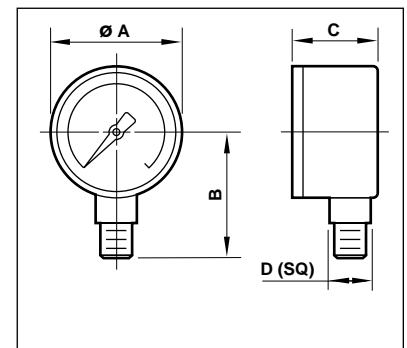
Outer Scale psig	Scale Range		1/8 NPT 1.5" (40mm) Diameter	1/8 NPT 2" (50mm) Diameter	1/4 NPT 2" (50mm) Diameter	R1/4 2" (50mm) Diameter
	Middle Scale bar	Inner Scale Mpa				
0 to 30	0 to 2	0 to 0.2	18-013-214	18-013-201	18-013-207	—
0 to 60	0 to 4	0 to 0.4	18-013-211	18-013-202	18-013-208	18-013-268
0 to 100	0 to 7	0 to 0.7	—	18-013-203	18-013-235	—
0 to 160	0 to 11	0 to 1.1	18-013-212	18-013-204	18-013-209	18-013-269
0 to 300	0 to 20	0 to 2.1	—	18-013-205	18-013-210	18-013-270
0 to 400	0 to 28	0 to 2.8	—	18-013-206	—	—



A	B	C
1.5 (40)	1.60 (41)	0.47 (12)
2.0 (50)	1.85 (47)	0.55 (14)

Bottom Connection - 2" (50 mm) diameter gauges do not have the Mpa scale

Outer Scale psig	Scale Range		1/8 NPT 1.5" (40mm) Diameter	1/4 NPT 2" (50mm) Diameter
	Middle Scale bar	Inner Scale Mpa		
0 to 15	0 to 1	—	—	18-013-082
0 to 30	0 to 2	0 to 0.2	18-013-224	18-013-030 *
0 to 60	0 to 4	0 to 0.4	18-013-225	18-013-083 *
0 to 100	0 to 7	0 to 0.7	18-013-265	18-013-084 *
0 to 160	0 to 11	0 to 1.1	18-013-273	18-013-085 *
0 to 300	0 to 20	—	—	18-013-086 *
0 to 2000	0 to 135	—	—	18-013-244 *†
0 to 3000	0 to 205	—	—	18-013-087 *†



A	B	C	D
1.5 (40)	1.42 (36)	0.90 (23)	0.47 (12)
2.0 (50)	1.73 (44)	1.03 (26)	0.55 (14)

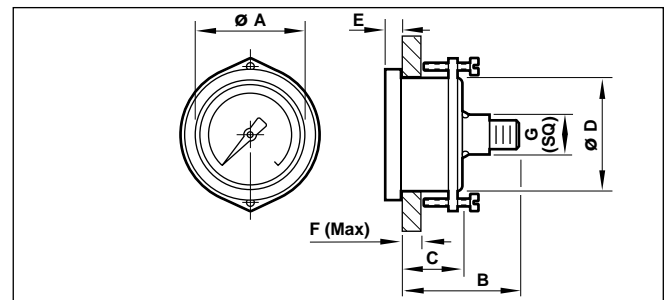
* Underwriters Laboratories Inc. Listed

† Shipped with pulsation dampener installed.

Center Back Connection, Panel Mounted

Outer Scale psig	Scale Range		1/4 NPT Male and 10-32 Female 1.5" (40mm) Diameter
	Middle Scale bar	Inner Scale Mpa	
0 to 30	0 to 2	0 to 0.2	5PG-306-000 **
0 to 60	0 to 4	0 to 0.4	5PG-312-000 **
0 to 100	0 to 7	0 to 0.7	5PG-320-000 **

** Requires 1.63" (41 mm) diameter panel hole.



A	B	C	D	E	F (Max)	G
1.5 (40)	1.51 (38)	0.86 (22)	1.61 (41)	0.18 (5)	0.5 (13)	0.55 (14)

Alternative Models

Pulsation Dampener: Add **-9D** to the end of the model number.



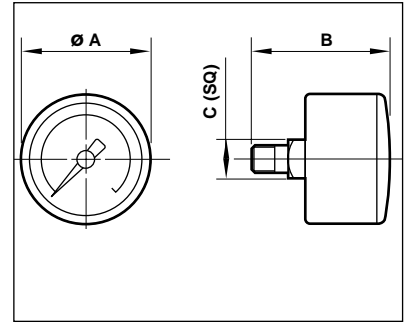
Air Pressure Gauges

All Dimensions in Inches (mm)

Ordering Information, White Face Gauges - bar outer scale, Mpa middle scale, psi inner scale

Center Back Connection

Scale Range			R1/8 1.5" (40mm) Diameter	R1/8 2" (50mm) Diameter	R1/8 2.5" (63mm) Diameter
Outer Scale bar	Middle Scale Mpa	Inner Scale psi			
0 to 1.6	0 to 0.16	0 to 23	18-013-991	18-013-010	—
0 to 4	0 to 0.4	0 to 56	18-013-990	18-013-011	—
0 to 6	0 to 0.6	0 to 84	—	18-013-012	—
0 to 10	0 to 1.0	0 to 140	18-013-989	18-013-013	18-013-856
0 to 16	0 to 1.6	0 to 240	—	—	18-013-855
0 to 25	0 to 2.5	0 to 360	18-013-908	18-013-014	—



A	B	C
1.5 (40)	1.77 (45)*	0.55 (14)
2.0 (50)	1.93 (49)	0.55 (14)
2.5 (63)	1.89 (48)	0.55 (14)

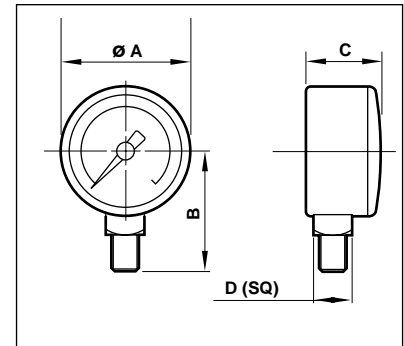
* 1.57 (40) on 1/8 PTF stainless steel gauges
1.85 (47) on 1/4 PTF stainless steel gauges

Stainless Steel Gauges - gauges do not have the Mpa scale

Scale Range		1/8 PTF 1.5" (40mm) Diameter	1/4 PTF 1.5" (40mm) Diameter
Outer Scale bar	Inner Scale psi		
0 to 6	0 to 84	—	18-013-913
0 to 10	0 to 140	18-013-844	18-013-909
0 to 25	0 to 360	—	18-013-905

Bottom Connection

Scale Range			R1/8 2" (50mm) Diameter	G1/4A 2.5" (63mm) Diameter
Outer Scale bar	Middle Scale Mpa	Inner Scale psi		
0 to 1.6	0 to 0.16	0 to 23	18-013-024	—
0 to 4	0 to 0.4	0 to 56	18-013-025	—
0 to 6	0 to 0.6	0 to 84	18-013-026	—
0 to 10	0 to 1.0	0 to 140	18-013-027	18-013-854
0 to 16	0 to 1.6	0 to 240	—	18-013-853
0 to 25	0 to 2.5	0 to 360	18-013-028	—



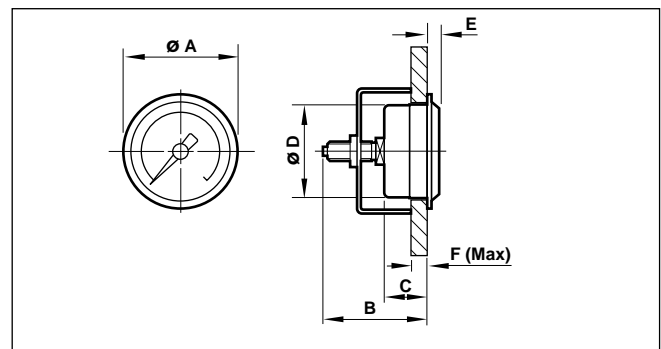
A	B	C	D
2.0 (50)	1.77 (45)	1.10 (28)	0.55 (14)
2.5 (63)	2.09 (53)	1.10 (28)	0.55 (14)

Center Back Connection, Panel Mount

Scale Range			G1/8A 2" (50mm) Diameter	G1/8A 2.5" (63mm) Diameter
Outer Scale bar	Middle Scale Mpa	Inner Scale psi		
0 to 6	0 to 0.6	0 to 84	18-013-858 *	—
0 to 10	0 to 1.0	0 to 140	18-013-857 *	18-013-852 †
0 to 16	0 to 1.6	0 to 240	—	18-013-851 †

* Requires 2.01" (51 mm) diameter panel hole.

† Requires 2.52" (64 mm) diameter panel hole.



A	B	C	D	E	F
2.0 (50)	2.17 (55)	1.02 (26)	1.93 (49)	0.20 (5)	0.37 (9.5)
2.5 (63)	2.20 (56)	1.06 (27)	2.44 (62)	0.24 (6)	0.37 (9.5)

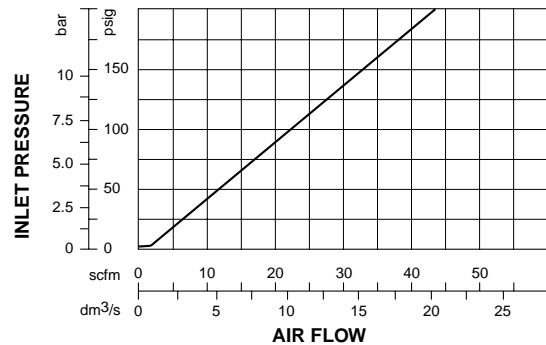
High Pressure Needle Valves

1/8" and 1/4" Port Sizes

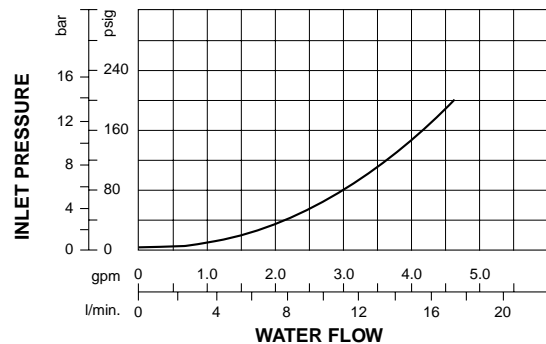


- Bar stock machined brass body
- Tapered brass needle
- Adjustable stem packing nut with Teflon® seal
- Retained adjustment stem
- Metal to metal sealing surfaces
- Accurate metering of fluids
- 3,000 psig inlet pressure

Fluid: Air
 Outlet Pressure: Atmosphere
 Adjustment Knob: Full Open



Fluid: Water
 Outlet Pressure: Atmosphere
 Adjustment Knob: Full Open



Specifications

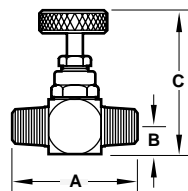
Fluid: Compressed air, water, steam, and other non-flammable, inert gases and liquids
 Max. Inlet Pressure: 3,000 psig (207 bar)
 Temperature Range: -40° to 500°F (-40° to 260°C)
 Maximum Differential Pressure: 15 psid (1 bar d)
 Ports: 1/8 or 1/4 NPT
 Orifice Size: Ø0.187" (5 mm)
 CV: 0.401

Materials of Construction

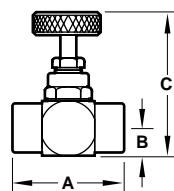
Body, needle, packing nut, knob: Brass
 Stem Seal: Teflon®

Size (NPT)	Port		Part Number	Dimensions			
	In	Out		A	B	C Closed	C Open
1/8"	Male	Male	17-001-106	1.63 (41)	0.38 (10)	2.13 (54)	2.25 (57)
	Female	Female	17-001-109	1.63 (41)	0.38 (10)	2.13 (54)	2.25 (57)
	Female	Male	17-001-112	1.63 (41)	0.38 (10)	2.13 (54)	2.25 (57)
1/4"	Male	Male	17-001-107	1.81 (46)	0.38 (10)	2.13 (54)	2.25 (57)
	Female	Female	17-001-110	1.63 (41)	0.38 (10)	2.13 (54)	2.25 (57)
	Male	Female	17-001-114	1.72 (44)	0.38 (10)	2.13 (54)	2.25 (57)

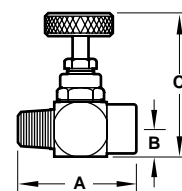
17-001-106
17-001-107



17-001-109
17-001-110



17-001-112
17-001-114



- Nozzle pressure regulated to below 30 psig (2.1 bar) even if nozzle is obstructed
- OSHA compliant
- Large lever for comfort and easy actuation
- Permanently assembled, tamper resistant construction
- Surface scratching reduced by ordering model with rubber tipped nozzle
- Replaceable nozzle tip
- 10" extension nozzle available



Specifications

Fluid: Compressed air
 Maximum Inlet Pressure: 250 psig (17.2 bar)
 Temperature Range: 32° to 175°F (0° to 79°C)
 Outlet (Regulated) Pressure: Below 30 psig (2.1 bar)
 Nozzle Orifice: Ø0.16" (Ø4 mm)
 Port Size: 1/4 PTF (female)

Materials of Construction

Body: Polyester
 Nozzle Tip: Metal (aluminum or brass) or Rubber
 Elastomers: Nitrile

Accessories

Hanging Hook: 5320-01
 10" Extension Nozzle: 5363-50

Replacement Parts

Nozzle with Air Shield: 1135-05
 Nozzle without Air Shield: 1135-06
 Nozzle Rubber Tip: 1135-07

Port (PTF)	Part Number	Nozzle Type
1/4	17-104-302	Metal Tip with Air Shield
1/4	17-104-304	Metal Tip
1/4	17-104-306	Rubber Tip